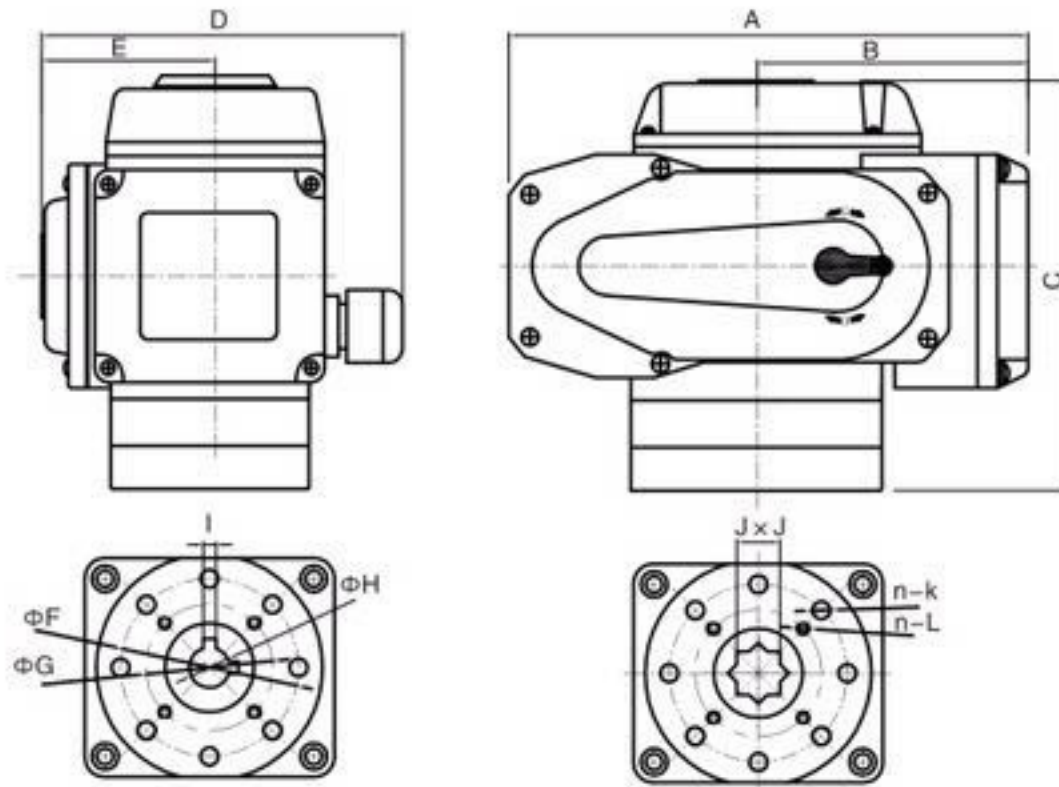


◆ GENERAL DRAWING



Model	A	B	C	D	E	F	G	H	I	JxJ	K	L
ATY-JM-05	165	72	152	134	67	Φ50	Φ36	Φ12.8	3	11 × 11	4-M6	4-M6
ATY-JM-10	204	98.5	159	140	75	Φ70	Φ50	Φ16	5	14 × 14	4-M8	4-M6
ATY-JM-15	204	98.5	159	140	75	Φ70	Φ50	Φ19.1	5	17 × 17	4-M8	4-M6
ATY-JM-25	257	119	193	178	90	Φ102	Φ70	Φ22.3	5	22 × 22	4-M10	4-M8
ATY-JM-50	257	119	193	178	90	Φ102	Φ70	Φ28.8	5	22 × 22	4-M10	4-M8
ATY-JM-100	280	153	160	172	90	Φ125	Φ102	Φ31.8	8	27 × 27	4-M12	4-M10
ATY-JM-200	280	153	160	172	90	Φ140	Φ125	Φ33.4	10	36 × 36	4-M14	4-M12

RTC[®]
ATYCO Fluid Control

**ATYCO JM
ELECTRIC ACTUATOR**



**TAIWAN ATYCO FLUID CONTROL
EQUIPMENT INTERNATIONAL
COMPANY LIMITED**

◆ Function Features

- Powerful function:
 - Choose Intelligent type, proportion type or switch type to output all kinds of signal;
 - The whole stroke time as 15 seconds, 30 seconds, 60 seconds, etc are available for your choice;
 - Intelligent control modules are integrated in the body of electric devices, no need for installing locator;
- Reliable performance:
 - Special copper alloy forging integration worm wheel, intensity height, good abrasion resistance, high transmission accuracy;
 - Use high-quality import bearings, electrical components and other key components to improve the service life;
 - Passed 1500V electric strength test, class F insulation electrical machinery is safe and reliable;
 - IP67 high standards protection grade;
- Easy to use:
 - Non refueling, non point inspection, waterproof, anti-rust, installed at any angles;
 - Use single-phase power supply, the external circuit is simple, and AC (24, 110, 380) V, DC (12, 24, 220) V are available for your choice;
- Beautiful appearance:
 - Aluminum alloy die casting shell, fine and smooth;
 - The size and weight is only about 35% of the traditional one;



Control Line Area



Worm Gearings



ISO5211 Actuator Mounting

◆ Technical Data and Torque

Model	ATY-JM-05	ATY-JM-10	ATY-JM-15	ATY-JM-25	ATY-JM-50	ATY-JM-100	ATY-JM-200
Power	AC24V, AC110V, AC220V, AC380V, AC400V, DC24V						
Torque	50N.M	100N.M	150N.M	250N.M	500N.M	1000N.M	2000N.M
Stroke time	12/25S	15/30S				50/100S	
Motor power	15W	25W	30W	45W	90W	110W	110W
Protection	Motor overheating protection (120°C)						
Angle of rotation	0-90°						
Environmental temperature	-10--+60°C						
Withstand voltage	1500V						
Starting current	0.25A	0.6A	0.68A	0.76A	1.2A	1.36A	1.36A
Working current	0.25A	0.52A	0.55A	0.70A	1.15A	1.28A	1.28A
Protection grade	Equivalent of IP67 standard						
Limit	Electric: fully open to fully closed limit switch; Manual: mechanical block						
Weight	2.8Kg	4.2Kg	4.5Kg	7.2Kg	7.5Kg	12.5Kg	12.5Kg
Input signal	4-20mA 0-10V 1-5V						
Output signal	4-20mA 0-10V 1-5V						



On-off Type



Modulating Type



◆ Standard Specification

Shell	Waterproof level IP67,NEMA4 and 6	
Motor power	Standard: 220V AC Single-phase Optional: 110V AC Single-phase, 380/440V AC Three-phase, 50/60Hz, ±10% 24V DC / 110V DC / 220V DC	
Motor	Squirrel-cage asynchronous motor	
Limit switch	Open/close, each 1SPDT, 250VAC10A	
Auxiliary limit switch	Open/close, each 1SPDT, 250VAC10A	
Stroke	90° ± 10°	0° - 27° Optional
Stall protection / operating temperature	Inside overheating protection, open 115°C ± 5°C / close 97°C ± 5°C	
Indicator	Continuous position indicator	
Manual operate	Mechanical handle (Handwheel is optional)	
Self-locking device	Provide self-locking by worm and worm gear	
Mechanical limit	2 piece of external adjustable bolt	
Conduit entry	2 Pieces M18	
Ambient temperature	-10°C - +60°C	
Lubrication	Aluminum base grease (EP type)	
Material	Steel, aluminum alloy, aluminum bronze, polycarbonate	
Ambient humidity	Max 90% RH	Non condensation
Anti-vibration performance	XYZ10g, 0.2-34Hz, 30 Minutes	
External coating	Dry powder, epoxy polyester	

◆ Optional Specifications

No	Optional configuration	Remarks
1	Heater	Except ATY-JM-03 ATY JM Series
2	Waterproof actuator (IP68, 10M, 250HR)	ATY-JM Series
3	Potentiometer (1K-10K)	Except ATY-JM-03
4	Proportional control unit (Input, output signal) (4-20mA DC / 1-5V / 1-10V)	Except ATY-JM-03
5	Field control unit (local control open/stop/close switch, local/remote control switch)	Except ATY-JM-03
6	Stroke 120° , 180° , 270°	ATY-JM Series
7	DC motor (24V DC)	Except ATY-JM-03
8	Current position sensor (Output 4-20mA DC)	Except ATY-JM-03
9	Self-reset when feedback failure	