

RTC TAI WAN ATYCO FLUID CONTROL

**TAI WAN ATYCO FLUID CONTROL
EQUIPMENT INTERNATIONAL
COMPANY LIMITED
Liaoning Yuanlu Machinery Equipment
Manufacturing Co., Ltd.**

**Address:55 Gongnong Road, Zhanqian
District, Yingkou City, Liaoning
Province,China TEL:+008613332319780
FAX:+00860417-3535904
Website:www.atyco.cn
Email:atycoln@163.com**

Pipe Fittings

For Union. Distribution and Control of Water

DI Fittings for DI,ST,PVC,PE Pipes

Rubber Expansion Joint

Repair Clamp



RTC

Lead the smart flow

Dismantling Joint

Heavy & Light Duty Style

For DI, Steel Pipe



Dismantling Joint

Fig.P110&P120

—RTC dismantling joint is a double flanged fittings that provides easy installation and disassembly of flanged pipe networks and fittings, or flanged equipment such as valves, meters and pumps. These fittings are widely used in water, sewage and neutral liquids fields up to 70° C with a nominal bore from 50mm to 2000mm.

—HIWA dismantling joints are available on the following two basic structures to suit customer's requirements.



Features and Benefits

- 1. ± 25 mm longitudinal adjustment simplifies future pipework modifications and reduces down time.
- 2. Can be locked at required length with tie rods supplied.
- 3. FBE anticorrosive coated make long service life.
- 4. Both restrained or unrestrained styles for selection.
- 5. The integral tie-bar assembly avoid the need for other external restraints and high pressure alternatives are available on request.

Typical Applications

-The dismantling joint is particularly suitable for simplifying the installation and removal of:

- Non return valves
- Check Valves
- Isolation valves
- Control Valves
- Flow metering equipment
- Pump sets
- Pressure reducing valves
- Flanged pipe and fittings

General Application Areas

- 1. Sewage treatment works.
- 2. water treatment works.
- 3. Power generation equipment and gas distribution stations.
- 4. Industrial cooling systems.
- 5. Pumping stations.



Heavy Duty Dismantling Joint

Fig. P110

RTC 110 Dismantling Joint, the seal using the tie-bar, they also suitable for most applications and are rated up to 25 bar.

■ Longitudinal Adjustment

— $\pm 25\text{mm}$ longitudinal adjustment simplifies future pipework modifications and reduces down time.

■ Excellent Coating Protection

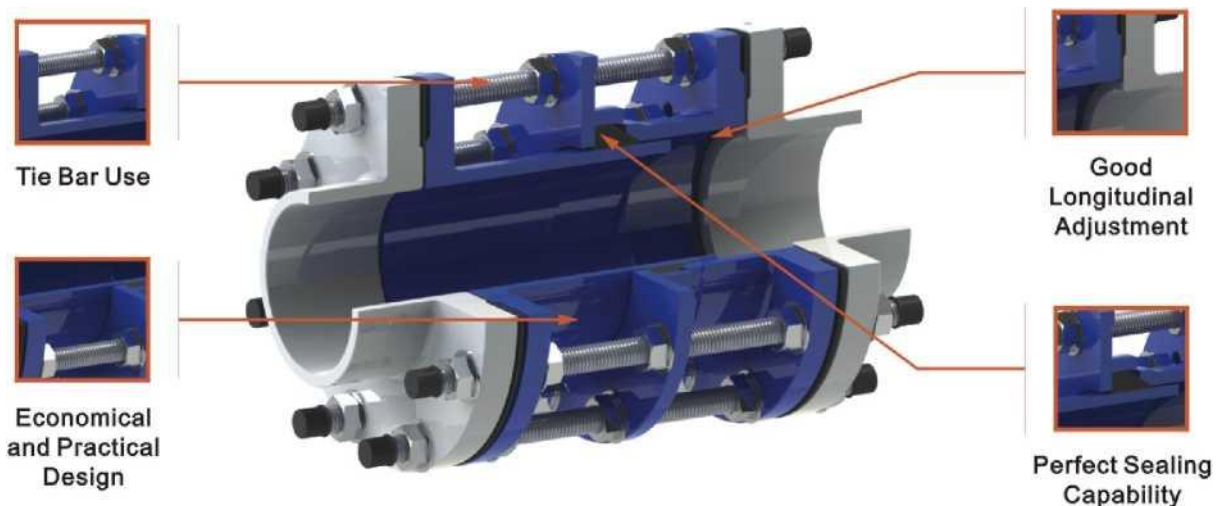
— The normal painting is RAL5017 FBE coated powder which with good anticorrosion characteristic, the studs, nuts, washers with Dacromet coated, which with good anticorrosion, thermostability characteristic than galvanized plated.

■ Perfect Sealing Capability

— The rubber gasket is compressed by the middle flange through fasten nuts of tie bars, and the sealing capability achieve as soon as the fasteners reach required torque.

■ Tie Bar Use

— The dismantling joint can be locked at required length with tie bars supplied.



Material and Technical Specifications

■ Body and Middle Flange

- Ductile Iron to EN1563 GGG50.
- Mild Steel to EN10025 S235JR.

■ Fasteners

- Studs, Nuts, Washer: Tensile Steel 4.8
- Tie Bars: Tensile Steel 4.8 or 8.8 according to actual application.

■ Fasteners Coating

- Dacromet Coating for normal application.
- Galvanized coating or Teflon coating also available on request.

■ Seals (Rubber Gasket)

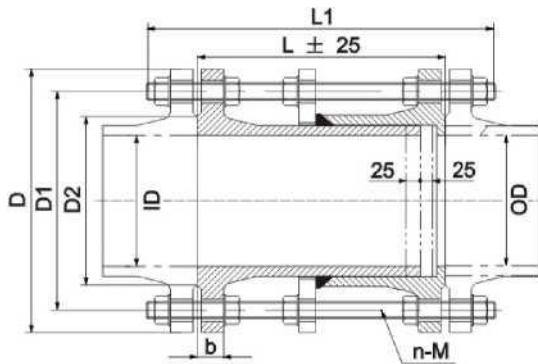
- EPDM to EN681
- NBR to EN682
- WRAS approved seals for potable water also available on request

■ Temperature: Up to 70°C

- High temperatures will affect the life of products installation. Special temperature application kindly contact with Fowry directly.

Heavy Duty Dismantling Joint PN10

Fig.P110



Unrestrained Dismantling Joint



Restrained Dismantling Joint



Basic Technical Data

- Dimension Range: DN50 to DN1800.
- Working Pressure: PN10.
- Flange Drilling: BS EN1092 PN10.
- Max. Temperature: 80° C for NBR & EPDM.
- High temperature is available on request.
- Un-Restrained Dismantling Joint without Tie-bar.

Material Specification

No.	Item Name	Material	Specification
1	Long Flange Body	Ductile Iron	GGG50
2	Short Flange Body	Ductile Iron	GGG50
3	Middle Flange	Ductile Iron	GGG50
4	Seal Ring	Rubber	EPDM
5	Stud	Galvanized Steel	ISO898-1:1999
6	Washer	Galvanized Steel	
7	Nut	Galvanized Steel	ISO898-2:1992

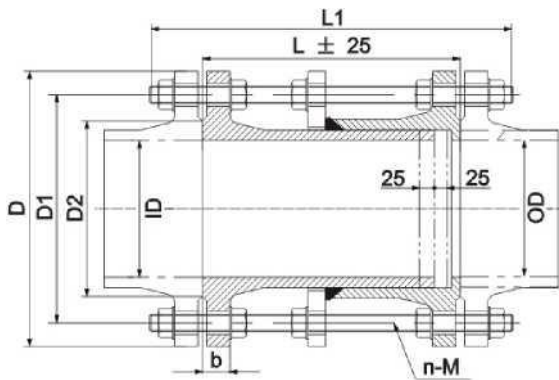
Dimensions(mm)

Size	ID	OD	Length (mm)		Adjustment (mm)	EN1092 PN10					Number of Tie-bar		
			L	L1		L±5	D	D1	D2	B	N-M	25% restrained	50% restrained
DN50	65	66	205	310	±25	165	125	99	19	4-M16			4
DN65	80	82	205	310	±25	185	145	118	19	4-M16			4
DN80	83	98	205	340	±25	200	160	132	19	8-M16		4	8
DN100	101	118	205	340	±25	220	180	156	19	8-M16		4	8
DN150	154	170	205	340	±25	285	240	211	19	8-M20		4	8
DN200	206.5	222	215	350	±25	340	295	266	20	8-M20		4	8
DN250	258	274	220	370	±25	400	350	319	22	12-M20	3	6	12
DN300	307	326	240	390	±25	455	400	370	24.5	12-M20	3	6	12
DN350	359	378	240	400	±25	505	460	429	24.5	16-M20	4	8	16
DN400	408	429	250	420	±25	565	515	480	24.5	16-M24	4	8	16
DN450	456	480	265	440	±25	615	565	530	25.5	20-M24	5	10	20
DN500	508	532	275	440	±25	670	620	582	26.5	20-M24	5	10	20
DN600	613.4	635	295	460	±25	780	725	682	30	20-M27	5	10	20
DN700	711	738	300	480	±25	895	840	794	32.5	24-M27	6	12	24
DN800	817	842	320	500	±25	1015	950	901	35	24-M30	6	12	24
DN900	911	945	320	500	±25	1115	1050	1001	37.5	28-M30	7	14	28
DN1000	1012	1048	330	545	±25	1230	1160	1112	40	28-M33	7	14	28
DN1200	1216	1255	350	580	±25	1455	1380	1328	45	32-M36	8	16	32
DN1400	1420	1462	380	630	±25	1675	1590	1530	46	36-M39	9	18	36
DN1500	1520	1565	400	665	±25	1785	1700	1640	47.5	36-M39	9	18	36
DN1600	1620	1668	400	700	±25	1915	1820	1750	49	40-M45	10	20	40
DN1800	1820	1875	420	730	±25	2115	2020	1950	52	44-M52	10	20	40

RTC product specification in this catalogue for reference only, the product construction subject to RTC's design, RTC reserve the right to change the design, construction, specification without prior notice and without incurring any obligation. Any definite information kindly contact with RTC directly.

Heavy Duty Dismantling Joint PN16

Fig. P110



Unrestrained Dismantling Joint



Restrained Dismantling Joint



Basic Technical Data

- Dimension Range: DN50 to DN1800.
- Working Pressure: PN16.
- Flange Drilling: BS EN1092 PN16.
- Max. Temperature: 80° C for NBR & EPDM.
- High temperature is available on request.
- Un-Restrained Dismantling Joint without Tie-bar.

Material Specification

No.	Item Name	Material	Specification
1	Long Flange Body	Ductile Iron	GGG50
2	Short Flange Body	Ductile Iron	GGG50
3	Middle Flange	Ductile Iron	GGG50
4	Seal Ring	Rubber	EPDM
5	Stud	Galvanized Steel	ISO898-1:1999
6	Washer	Galvanized Steel	
7	Nut	Galvanized Steel	ISO898-2:1992

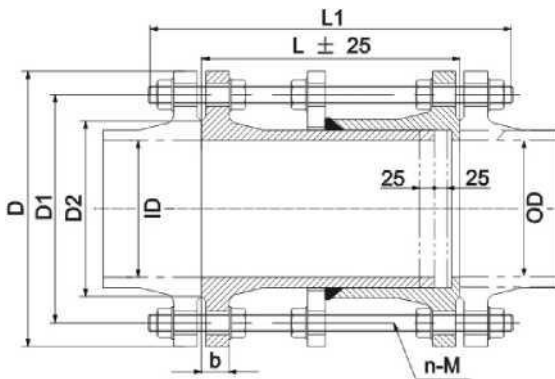
Dimensions(mm)

Size	ID	OD	Length (mm)		Adjustment (mm)	EN1092PN16					Number of Tie-bar		
			L	L1		L+5	D	D1	D2	B	N•M	25% restrained	50% restrained
DN50	65	66	205	310	±25	165	125	99	19	4-M16			4
DN65	80	82	205	310	±25	185	145	118	19	4-M16			4
DN80	83	98	205	340	±25	200	160	132	19	8-M16		4	8
DN100	101	118	205	340	±25	220	180	156	19	8-M16		4	8
DN150	154	170	205	340	±25	285	240	211	19	8-M20		4	8
DN200	206.5	222	215	350	±25	340	295	266	20	12-M20	3	6	12
DN250	258	274	220	380	±25	400	355	319	22	12-M24	3	6	12
DN300	307	326	240	400	±25	455	410	370	24.5	12-M24	3	6	12
DN350	359	378	240	410	±25	520	470	429	26.5	16-M24	4	8	16
DN400	408	429	250	430	±25	580	525	480	28	16-M27	4	8	16
DN450	456	480	265	450	±25	640	585	548	30	20-M27	5	10	20
DN500	508	532	275	460	±25	715	650	609	31.5	20-M30	5	10	20
DN600	613.4	635	295	500	±25	840	770	720	36	20-M33	5	10	20
DN700	711	738	300	500	±25	910	840	794	39.5	24-M33	6	12	24
DN800	817	842	320	530	±25	1025	950	901	43	24-M36	6	12	24
DN900	911	945	320	530	±25	1125	1050	1001	46.5	28•M36	7	14	28
DN1000	1012	1048	330	570	±25	1255	1170	1112	50	28-M39	7	14	28
DN1200	1216	1255	350	620	±25	1485	1390	1328	57	32-M45	8	16	32
DN1400	1420	1462	380	630	±25	1685	1590	1530	60	36-M45	9	18	36
DN1500	1520	1565	400	665	±25	1820	1710	1640	62.5	36-M52	9	18	36
DN1600	1620	1668	400	700	±25	1930	1820	1750	65	40-M52	10	20	40
DN1800	1820	1875	420	730	±25	2130	2020	1950	70	44-M52	11	22	44

RTC product specification in this catalogue for reference only, the product construction subject to RTC's design, RTC reserve the right to change the design, construction, specification without prior notice and without incurring any obligation. Any definite information kindly contact with RTC directly.

Heavy Duty Dismantling Joint PN25

Fig. P110



Unrestrained Dismantling Joint



Restrained Dismantling Joint



Basic Technical Data

- Dimension Range: DN50 to DN1200.
- Working Pressure: PN25.
- Flange Drilling: BS EN1092 PN25.
- Max. Temperature: 80° C for NBR & EPDM.
- High temperature is available on request.
- Un-Restrained Dismantling Joint without Tie-bar.

Material Specification

No.	Item Name	Material	Specification
1	Long Flange Body	Ductile Iron	GGG50
2	Short Flange Body	Ductile Iron	GGG50
3	Middle Flange	Ductile Iron	GGG50
4	Seal Ring	Rubber	EPDM
5	Stud	Galvanized Steel	ISO898-1:1999
6	Washer	Galvanized Steel	
7	Nut	Galvanized Steel	ISO898-2:1992

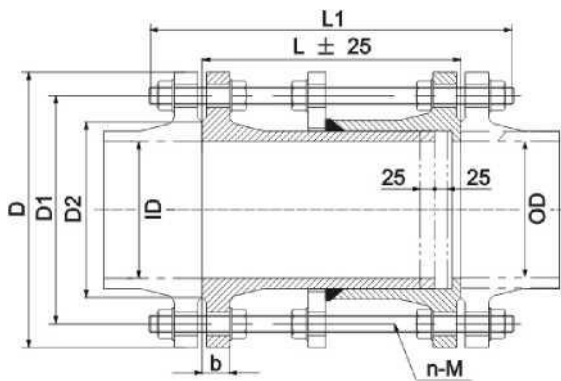
Dimensions(mm)

Size	ID	OD	Length (mm)		Adjustment (mm)	EN1092PN25					Number of Tie-bar		
			L	L1		L±5	D	D1	D2	B	N-M	25% restrained	50% restrained
DN50	65	66	205	310	±25	165	125	99	19	4-M16			4
DN65	80	82	205	310	±25	185	145	118	19	8-M16		4	8
DN80	83	98	205	340	±25	200	160	132	19	8-M16		4	8
DN100	101	118	205	340	±25	235	190	156	19	8-M20		4	8
DN150	154	170	205	340	±25	300	250	211	20	8-M24		4	8
DN200	206.5	222	215	350	±25	360	310	274	22	12-M24	3	6	12
DN250	258	274	220	400	±25	425	370	330	24.5	12-M27	3	6	12
DN300	307	326	240	420	+25	485	430	389	27.5	16-M27	4	8	16
DN350	359	378	240	420	±25	555	490	448	30	16-M30	4	8	16
DN400	408	429	250	430	±25	620	550	503	32	16-M33	4	8	16
DN450	456	480	265	460	±25	670	600	548	34.5	20-M33	5	10	20
DN500	508	532	275	460	±25	730	660	609	36.5	20-M33	5	10	20
DN600	613.4	635	295	500	±25	845	770	720	42	20-M36	5	10	20
DN700	711	738	300	500	±25	960	875	820	46.5	24-M39	6	12	24
DN800	817	842	320	530	±25	1085	990	928	51	24-M45	6	12	24
DN900	911	945	320	530	±25	1185	1090	1028	55	28-M45	7	14	28
DN1000	1012	1048	330	570	±25	1320	1210	1140	60	28-M52	7	14	28
DN1200	1216	1255	350	620	±25	1530	1420	1350	69	32-M52	8	16	32

RTC product specification in this catalogue for reference only, the product construction subject to RTC's design, RTC reserve the right to change the design, construction, specification without prior notice and without incurring any obligation. Any definite information kindly contact with RTC directly.

Heavy Duty Dismantling Joint AS/BS Table D

Fig. P110



Unrestrained Dismantling Joint



Restrained Dismantling Joint



Basic Technical Data

- Dimension Range: DN80 to DN1200.
- Working Pressure: PN10.
- Flange Drilling: AS2129 Table D&BS10 Table D.
- Max. Temperature: 80°C for NBR & EPDM.
- High temperature is available on request.
- Un-Restrained Dismantling Joint without Tie-bar.

Material Specification

No.	Item Name	Material	Specification
1	Long Flange Body	Ductile Iron	GGG50
2	Short Flange Body	Ductile Iron	GGG50
3	Middle Flange	Ductile Iron	GGG50
4	Seal Ring	Rubber	EPDM
5	Stud	Galvanized Steel	ISO898-1:1999
6	Washer	Galvanized Steel	
7	Nut	Galvanized Steel	ISO898-2:1992

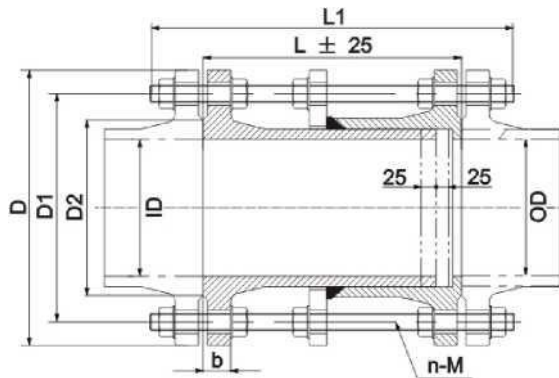
Dimensions(mm)

Size	ID	OD	Length (mm)		Adjustment (mm)		AS2129 Table D					Number of Tie-bar		
			L	L1	L+5	D	D1	D2	B	N·M	25% restrained	50% restrained	100% restrained	
DN80	83	98	205	340	±25	185	146	122	19	4-M16			4	
DN100	101	118	205	340	±25	215	178	154	19	4-M16			4	
DN150	154	170	205	340	±25	280	235	186	19	8-M16		4	8	
DN200	206	222	215	350	±25	335	292	211	20	8-M16		4	8	
DN250	258	274	220	380	±25	405	356	328	22	8-M20		4	8	
DN300	307	326	240	400	±25	455	406	378	25	12-M20	3	6	12	
DN350	359	378	240	410	±25	525	470	438	27	12-M24	3	6	12	
DN400	408	429	250	430	±25	580	521	489	28	12-M24	3	6	12	
DN450	456	480	265	450	±25	640	584	532	30	12-M24	3	6	12	
DN500	508	532	275	460	±25	705	641	609	32	16-M24	4	8	16	
DN600	613	635	295	500	±25	825	756	717	36	16-M27	4	8	16	
DN700	711	738	300	500	±25	910	845	806	40	20-M27	5	10	20	
DN800	817	842	320	530	±25	1060	984	942	43	20-M33	5	10	20	
DN900	911	945	320	530	±25	1175	1092	1050	47	24-M33	6	12	24	
DN1000	1012	1048	330	570	±25	1255	1175	1130	50	24-M36	6	12	24	
DN1200	1216	1255	350	620	±25	1490	1410	1365	57	32-M33	8	16	32	

RTC product specification in this catalogue for reference only, the product construction subject to RTC's design, RTC reserve the right to change the design, construction, specification without prior notice and without incurring any obligation. Any definite information kindly contact with RTC directly.

Heavy Duty Dismantling Joint AS/BS Table E

Fig. P110



Unrestrained Dismantling Joint



Restrained Dismantling Joint



Basic Technical Data

- Dimension Range: DN80 to DN1200.
- Working Pressure: PN10.
- Flange Drilling: AS2129 Table E & BS10 Table E.
- Max. Temperature: 80°C for NBR & EPDM.
- High temperature is available on request.
- Un-Restrained Dismantling Joint without Tie-bar.

Material Specification

No.	Item Name	Material	Specification
1	Long Flange Body	Ductile Iron	GGG50
2	Short Flange Body	Ductile Iron	GGG50
3	Middle Flange	Ductile Iron	GGG50
4	Seal Ring	Rubber	EPDM
5	Washer	Galvanized Steel	ISO898-1:1992
6	Washer	Galvanized Steel	ISO898-1:1992
7	Nut	Galvanized Steel	ISO898-2:1992

Dimensions(mm)

Size	ID	OD	Length (mm)		Adjustment (mm)	AS2129 Table E					Number of Tie-bar		
			L	L1		L±5	D	D1	D2	B	N-M	25% rstrained	50% rstrained
DN80	83	98	205	340	±25	185	146	122	19	4-M16			4
DN100	101	118	205	340	±25	215	178	154	19	8-M16			4
DN150	154	170	205	340	±25	280	235	186	19	8-M20		4	8
DN200	206	222	215	350	±25	335	292	211	20	8-M20		4	8
DN250	258	274	220	380	±25	405	356	328	22	12-M20	3	6	12
DN300	307	326	240	400	±25	455	406	378	25	12-M24	3	6	12
DN350	359	378	240	410	±25	525	470	438	27	12-M24	3	6	12
DN400	408	429	250	430	±25	580	521	489	28	12-M24	3	6	12
DN450	456	480	265	450	±25	640	584	532	30	16-M24	4	8	16
DN500	508	532	275	460	±25	705	641	609	32	16-M24	4	8	16
DN600	613	635	295	500	±25	825	756	717	36	16-M30	4	8	16
DN700	711	738	300	500	±25	910	845	806	40	20-M30	5	10	20
DN800	817	842	320	530	±25	1060	984	942	43	20-M33	5	10	20
DN900	911	945	320	530	±25	1175	1092	1050	47	24-M33	6	12	24
DN1000	1012	1048	330	570	±25	1255	1175	1130	50	24-M36	6	12	24
DN1200	1216	1255	350	620	±25	1490	1410	1365	57	32-M36	8	16	32

RTC product specification in this catalogue for reference only, the product construction subject to RTC's design, RTC reserve the right to change the design, construction, specification without prior notice and without incurring any obligation. Any definite information kindly contact with RTC directly.

Light Duty Dismantling Joint

Fig. P120

RTC 120 Dismantling Joint., the seal using the flange adaptor stud bolts, they normally suitable for most application and rated up to 16 bar.

■ Good Longitudinal Adjustment

-±25mm longitudinal adjustment simplifies future pipework modifications and reduces down time.

■ Excellent Coating Protection

-The normal painting is RAL5017 FBE coated powder which with good anticorrosion characteristic, the studs, nuts, washers with Dacromet coated, which with good anticorrosion, thermostability characteristic than galvanized plated.

■ Economical and Practical Design

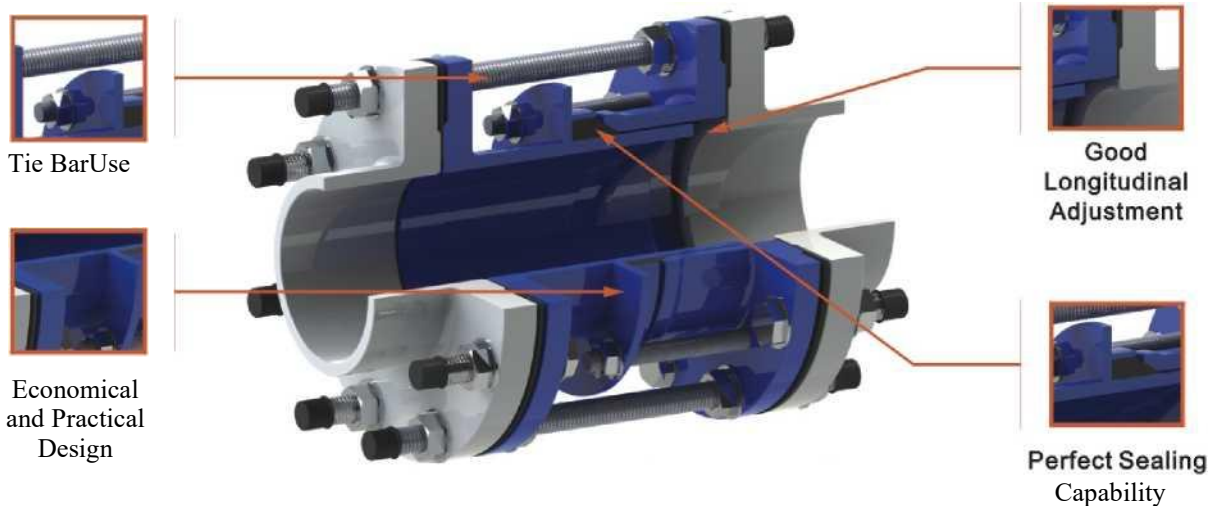
-Flange Adaptor plus flanged spigot design make light weight to reduce cost, flange adaptor with univesal flange drilling facilitate dissimilar flanged pipe connection.

■ Perfect Sealing Capability

-The rubber gasket is compressed independently of tie bars, the sealing capability achieve as soon as the fasteners reach required torque.

■ Tie Bar Use

-The dismantling joint can be locked at required length with tie bars supplied.



Material and Technical Specifications

■ Body and Gland Ring

- Ductile Iron to EN1563.
- Mild Steel to EN10025 S235JR.

■ Fasteners

- Studs of Flange Adaptor. Tensile Steel 4.8
- Tie Bars: Tensile Steel 4.8 or 8.8 according to actual application.

■ Fasteners Coating

- Dacromet Coating for normal application.
- Galvanized coating or Teflon coating also available on request.

■ Seals(Rubber Gasket)

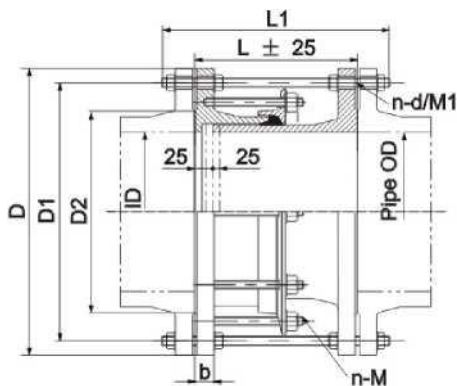
- EPDM to EN681
- NBR to EN682
- WRAS approved seals for potable water also available.

■ Temperature: Upto70°C

- High temperatures will affect the life of products installation. Special temperature application kindly contact with Fowry directly.

Light Duty Dismantling Joint PN10

Fig. P120



Unrestrained Dismantling Joint



Restrained Dismantling Joint



Basic Technical Data

- Dimension Range: DN80 to DN1200.
- Working Pressure: PN10.
- Flange Drilling: BS EN1092 PN10.
- Max. Temperature: 80° C for NBR & EPDM.
- High temperature is available on request.
- Un-Restrained Dismantling Joint without Tie-bar.

Material Specification

No.	Item Name	Material	Specification
1	Short Flanged	Ductile Iron	GGG50
2	Seal Ring	Rubber	EPDM
3	End Ring	Ductile Iron	GGG50
4	Flange Spigot	Ductile Iron	GGG50
5	Stud	Galvanized Steel	ISO898-1:1999
6	Washer	Galvanized Steel	
7	Nut	Galvanized Steel	ISO898-2:1992

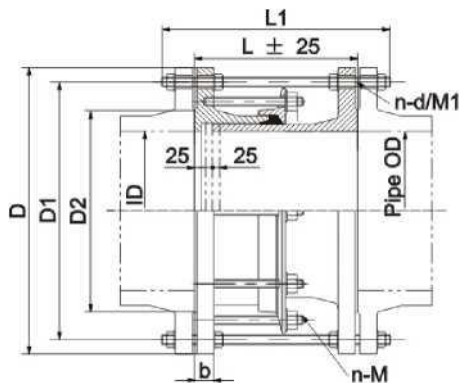
Dimensions(mm)

Size	ID	OD	Length (mm)		Adjustment (mm)	EN1092PN10				Bolt/Nut		
			L	L1		L±5	D	D1	D2	b	n-d	n-M
DN80	83	98	205	340	±25	200	160	132	19	8-19	4-M12	M16
DN100	101	118	205	340	±25	220	180	156	19	8-19	4-M12	M16
DN150	154	170	205	340	±25	285	240	211	19	8-23	4-M12	M20
DN200	206.5	222	215	350	+25	340	295	266	20	8-23	4-M12	M20
DN250	258	274	220	370	±25	400	350	319	22	12-23	6-M12	M20
DN300	307	326	240	390	±25	455	400	370	24.5	12-23	6-M12	M20
DN350	359	378	240	400	±25	505	460	429	24.5	16-23	8-M16	M20
DN400	408	429	250	420	±25	565	515	480	24.5	16-28	8-M16	M24
DN450	456	480	265	435	±25	615	565	530	25.5	20-28	10-M16	M24
DN500	508	532	275	440	±25	670	620	582	26.5	20-28	10-M16	M24
DN600	613.4	635	295	460	±25	780	725	682	30	20-31	10-M16	M27
DN700	711	738	300	480	±25	895	840	794	32.5	24-31	12-M16	M27
DN800	817	842	320	500	±25	1015	950	901	35	24-34	12-M16	M30
DN900	911	945	320	500	±25	1115	1050	1001	37.5	28-34	12-M16	M30
DN1000	1012	1048	330	545	±25	1230	1160	1112	40	28-37	12-M16	M33
DN1200	1216	1255	350	580	±25	1455	1380	1328	45	32-41	12-M16	M36

RTC product specification in this catalogue for reference only, the product construction subject to RTC's design, RTC reserve the right to change the design, construction, specification without prior notice and without incurring any obligation. Any definite information kindly contact with RTC directly.

Light Duty Dismantling Joint PN16

Fig. P120



Unrestrained Dismantling Joint



Restrained Dismantling Joint



Basic Technical Data

- Dimension Range: DN80 to DN1200.
- Working Pressure: PN16.
- Flange Drilling: BS EN1092 PN16.
- Max. Temperature: 80°C for NBR & EPDM.
- High temperature is available on request.
- Un-Restrained Dismantling Joint without Tie-bar.

Material Specification

No.	Item Name	Material	Specification I
1	Short Flanged	Ductile Iron	GGG50
2	Seal Ring	Rubber	EPDM
3	End Ring	Ductile Iron	GGG50
4	Flange Spigot	Ductile Iron	GGG50
5	Stud	Galvanized Steel	ISO898-1:1999
6	Washer	Galvanized Steel	
7	Nut	Galvanized Steel	ISO898-2:1992

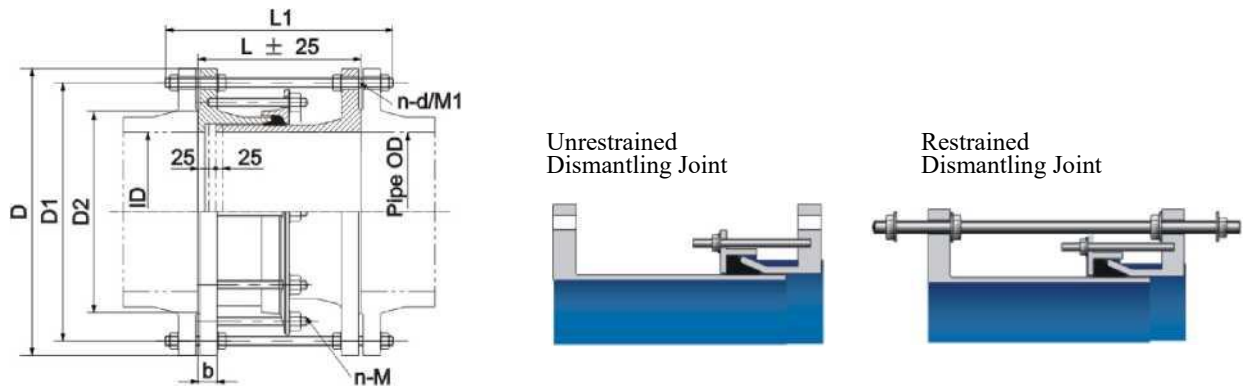
Dimensions(mm)

Size	ID	OD	Length (mm)		Adjustment (mm)	EN1092 PN16				Bolt/Nut		
			L	L1		D	D1	D2	b	n-d	n-M	M1
DN80	83	98	205	340	±25	200	160	132	19	8-19	4-M12	M16
DN100	101	118	205	340	±25	220	180	156	19	8-19	4-M12	M16
DN150	154	170	205	340	±25	285	240	211	19	8-23	4-M12	M20
DN200	206.5	222	215	350	±25	340	295	266	20	12-23	6-M12	M20
DN250	258	274	220	380	±25	400	355	319	22	12-28	6-M12	M24
DN300	307	326	240	400	±25	455	410	370	24.5	12-28	6-M12	M24
DN350	359	378	240	410	±25	520	470	429	26.5	16-28	8-M16	M24
DN400	408	429	250	430	±25	580	525	480	28	16-31	8-M16	M27
DN450	456	480	265	450	±25	640	585	548	30	20-31	10-M16	M27
DN500	508	532	275	460	±25	715	650	609	31.5	20-34	10-M16	M30
DN600	613.4	635	295	500	±25	840	770	720	36	20-37	10-M16	M33
DN700	711	738	300	500	±25	910	840	794	39.5	24-37	12-M16	M33
DN800	817	842	320	530	±25	1025	950	901	43	24-41	12-M16	M36
DN900	911	945	320	530	±25	1125	1050	1001	46.5	28-41	14-M16	M36
DN1000	1012	1048	330	570	±25	1255	1170	1112	50	28-44	14-M16	M39
DN1200	1216	1255	350	620	±25	1485	1390	1328	57	32-50	16-M16	M45

RTC product specification in this catalogue for reference only, the product construction subject to RTC's design, RTC reserve the right to change the design, construction, specification without prior notice and without incurring any obligation. Any definite information kindly contact with RTC directly.

Light Duty Dismantling Joint AS/BS Table D/E

Fig. P120



Basic Technical Data

- Dimension Range: DN80 to DN1200.
- Working Pressure: PN16.
- Flange Drilling: AS2129 Table D/E & BS10 Table D/E.
- Max. Temperature: 80°C for NBR & EPDM.
- High temperature is available on request.
- Un-Restrained Dismantling Joint without Tie-bar.

Material Specification

No.	Item Name	Material	Specification
1	Short Flanged	Ductile Iron	GGG50
2	Seal Ring	Rubber	EPDM
3	End Ring	Ductile Iron	GGG50
4	Flange Spigot	Ductile Iron	GGG50
5	Stud	Galvanized Steel	ISO898-1:1999
6	Washer	Galvanized Steel	
7	Nut	Galvanized Steel	ISO898-2:1992

Dimensions(mm)

Size	ID	OD	Length (mm) L	Adjustment (mm) L ± 5 ±25	AS2129 Table D/E				AS2129 Table D			AS2129 Table E		
					D	D1	D2	b	n-d	n-m	M1	n-d	n-m	M1
DN80	83	98	205	±25	185	146	122	19	4-18	4-M12	M16	4-18	4-M12	M16
DN100	101	118	205	±25	215	178	154	19	4-18	4-M12	M16	8-18	4-M12	M16
DN150	154	170	205	±25	280	235	186	19	8-18	4-M12	M16	8-22	4-M12	M20
DN200	206	222	215	±25	335	292	211	20	8-18	4-M12	M16	8-22	4-M12	M20
DN250	258	274	220	±25	405	356	328	22	8-22	4-M12	M20	12-22	6-M12	M20
DN300	307	326	240	±25	455	406	378	25	12-22	6-M12	M20	12-26	6-M12	M24
DN350	359	378	240	±25	525	470	438	27	12-26	6-M16	M24	12-26	6-M16	M24
DN400	408	429	250	±25	580	521	489	28	12-26	6-M16	M24	12-26	6-M16	M24
DN450	456	480	265	±25	640	584	532	30	12-26	6-M16	M24	16-26	8-M16	M24
DN500	508	532	275	±25	705	641	609	32	16-26	8-M16	M24	16-26	8-M16	M24
DN600	613	635	295	±25	825	756	717	36	16-30	8-M16	M27	16-33	8-M16	M30
DN700	711	738	300	±25	910	845	806	40	20-30	10-M16	M27	20-33	10-M16	M30
DN800	817	842	320	±25	106	984	942	43	20-36	10-M16	M33	20-36	10-M16	M33
DN900	911	945	320	±25	117	1092	1050	47	24-36	12-M16	M33	24-36	12-M16	M33
DN1000	1012	1048	330	±25	125	1175	1130	50	24-36	12-M16	M36	24-39	12-M16	M36
DN1200	1216	1255	350	±25	149	1410	1365	57	32-36	16-M16	M33	32-39	12-M16	M36

RTC product specification in this catalogue for reference only, the product construction subject to RTC's design, RTC reserve the right to change the design, construction, specification without prior notice and without incurring any obligation. Any definite information kindly contact with RTC directly.

Uni-Fit

Coupling & Flange Adaptor

For Ductile Iron, Steel & PVC Pipes



Uni-Fit Coupling & Flange Adaptor

Fig.P210A&P210C

-RTC Uni-Fit pipe fittings are designed to accommodate plain ended pipes with different outside diameters. Thus reduces the need for stockholding, as one single coupling is able to connect different pipes materials such as ductile iron, steel, PVC, AC and others.

■ Perfect Sealing Gasket

-The sealing gasket with good circumferential ribs which provides a easy slide fits for maximum sealing even on pitted, scored or corroded pipes.

■ Excellent Coating Protection

-The normal painting for universal fittings is RAL5017 fusion bond epoxy coated powder which with good anticorrosion characteristic, and the bolts and nuts are Dacromet, which with good anticorrosion, thermostability characteristic than Zinc Plated.

■ Easy to Install

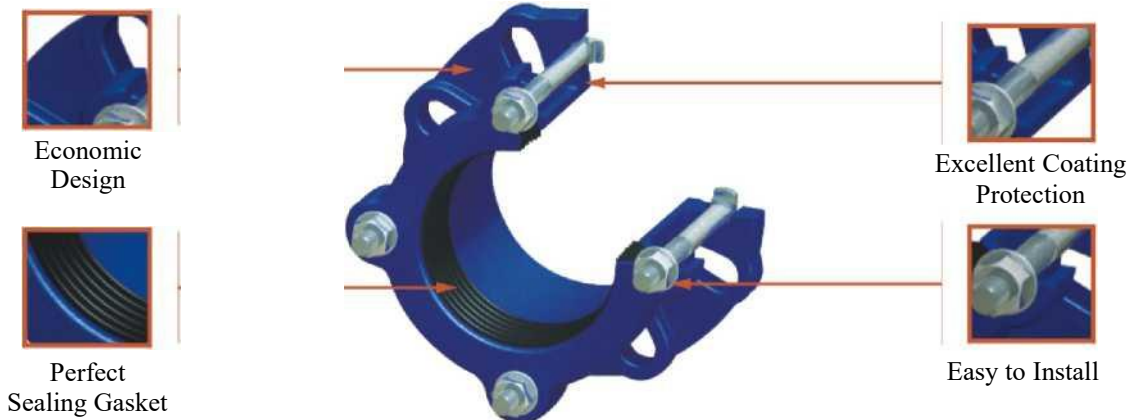
-The Uni-Fit range is supplied with carriage bolts, only need a torque wrench, from one end to tightened the nuts to finish the installation, simple and save time.

■ Simple to Fit

-Available as standard and long sleeve versions, the Uni-Fit range allowing for greater cutting tolerances and a greater pipe insertion depth which simplifies the installation.

■ Economic Design

-Such concave design can reduce the weight of the flange adaptor, so do the economic cost for same products.



■ Material And Relevant Standards

Coupling

■ Centre Sleeve & End Rings

-Ductile Iron to BS EN-GJS-500-7

■ Gaskets Standard

-EPDM TO BS EN681-1

-NBR TO BS EN682

■ Tee Bolts/Bolts

-Standard: Steel to BS EN ISO 898-1 Class4.8

-Other material available for request.

■ Nuts/Washers

-Nuts: Steel to BS EN ISO 898-2.

-Other material available for request.

■ Washers

-Decromet Coated Steel

■ Coatings

-Blue FBE coated to RAL5017

-Option: Rilsan Nylon 11.

Flange Adaptor

■ Flanged Adaptor Body & End Rings

-Ductile Iron to BS EN-GJS-500-7

■ Gaskets Standard

-EPDM TO BS EN681-1

-NBR TO BS EN682

■ Tee Bolts/Bolts

-Standard: Steel to BS EN ISO 898-1 Class4.8

-Other material available for request.

■ Nuts/Washers

-Nuts: Steel to BS EN ISO 898-2.

-Other material available for request.

■ Washers

-Decromet Coated Steel.

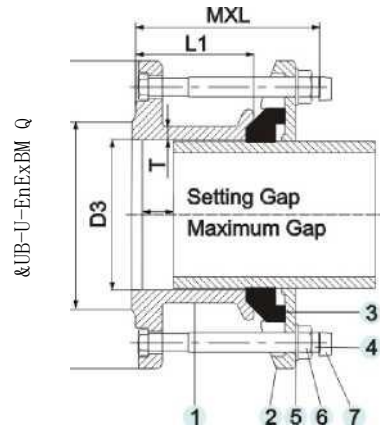
■ Coatings

-Blue FBE coated to RAL5017

-Option: Rilsan Nylon 11.

Universal Flange Adaptor

Fig. P210A



■ Features

- Ductile Iron GGG50 material with FBE coated.
- PN10,PN16 working pressure.
- Equipped with dacromet Steel bolts, nuts.
- EPDM or NBR rubber seals.
- High Tolerance Mechanical Pipe Fittings.
- Angular deflection +/-3°.

■ Material Specification

No.	Item Name	Material	Specification
1	Body	Ductile Iron	GGG50
2	End Ring	Ductile Iron	GGG50
3	Rubber Seal	Rubber	EPDM
4	Bolt	Dacromet Coated Steel	ISO898-1:1999
5	Washer	Dacromet Coated Steel	
6	Nut	Dacromet Coated Steel	ISO898-2:1992
7	Cap	Plastic	

Other Fasteners like zinc plated or Teflon coated or stainless steel are all available on request.

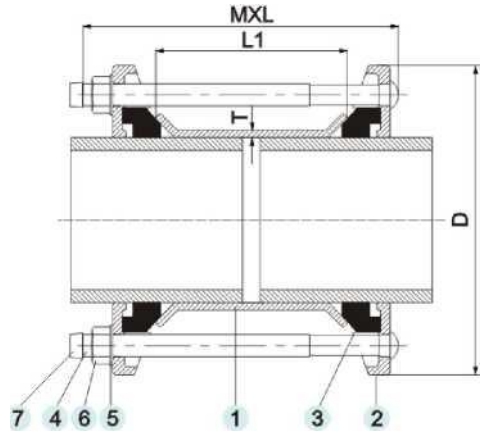
Dimensions(mm)

Size	Pipe OD (mm)	D	D2	D3	L1	MXL	Bolt No.	Eight (kg)	Flange Designation			
									PN10/PN16	ANSI1125/150	Table D	Table E
DN40	48-60	150	84	64	82	M12x125	2	2.7	•	•	•	•
DN50	59-72	165	99	77	82	M12x125	2	3.5	•	•	•	•
DN65	72-85	185	108	90	82	M12x125	2	3.9	•	•	•	•
DN80	88-103	200	132	108	82	M12x125	4	4.8	•	•	•	•
DN100	109-128	220	156	133	82	M12x125	4	6.1	•	•	•	•
DN125	132-153	250	184	158	82	M12x140	4	7.0	•	•		•
DN150	159-182	285	211	187	82	M12x140	4	7.8	•	•		•
DN175	192-210	340	266	215	82	M12x140	4	11.6	•	•		•
DN200	218-235	340	266	241	82	M12x140	4	12.0	•	•		•
DN225	242-267	405	319	272	82	M12x140	4	13.6	•	•		
DN250	272-289	405	319	295	90	M12x140	6	14.5	•	•		
DN300	315-332	460	370	338	90	M12x150	6	18.5	•	•		
DN300	322-339	460	370	345	90	M12x150	6	18.9	•			•
DN300	340-360	460	350	312	115	M14x180	8	41.5	•			
DN350	351-378	520	425	350	115	M14x180	8	43.8	•			
DN350	374-391	520	425	393	115	M14x180	8	43.8	•			
DN400	425-442	580	477	444	115	M14x180	8	52.8	•			
DN500	526-544	715	585	548	115	M14x180	10	68.2	•			
DN600	630-647	840	682	650	115	M14x180	10	84.7	•			

RTC product specification in this catalogue for reference only, the product construction subject to RTC's design, RTC reserve the right to change the design, construction, specification without prior notice and without incurring any obligation. Any definite information kindly contact with RTC directly.

Universal Coupling

Fig. P210C



■ Features

- Mild Steel S235JRwithFBE coated.
- PN10, PN16 working pressure.
- Equipped with dacromet steel bolts, nuts.
- EPDM or NBR rubber seals.
- High Tolerance Mechanical Pipe Fittings.

Material Specification

No.	Item Name	Material	Specification
1	Center	Carbon Steel	S235JR
2	End Ring	Ductile Iron	GGG50
3	Rubber Seal	Rubber	EPDM
4	Bolt	Dacromet Coated Steel	ISO898-1:1999
5	Washer	Dacromet Coated Steel	
6	Nut	Dacromet Coated Steel	ISO898-2:1992
7	Cap	Plastic	

Other Fasteners like zinc plated or Teflon coated or stainless steel are all available on request.

■ Dimensions(mm)

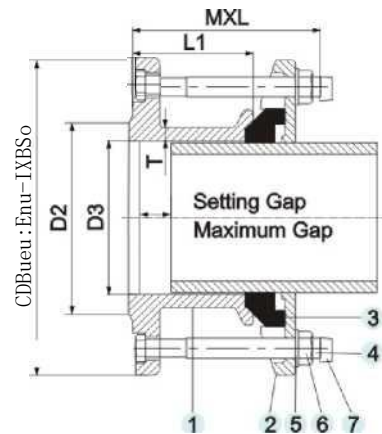
Size	PipeOD (mm)	D	L1		BoltNo.-MX		Weight (kg)	
			*S	*L	*S	*L	*S	*L
DN40	48-60	155	95	190	2-M12x170	2-M12x260	2.5	2.8
DN50	59-72	165	95	190	2-M12x170	2-M12x260	2.5	2.8
DN65	72-85	180	95	190	2-M12x170	2-M12x260	2.7	3.0
DN80	88-103	185	95	190	4-M12x180	4-M12x280	4.2	4.6
DN100	109-128	225	95	190	4-M12x180	4-M12x280	4.8	5.7
DN125	132-153	250	95	190	4-M12x180	4-M12x280	6.4	7.0
DN150	159-182	275	110	190	4-M12x210	4-M12x280	7.2	9.1
DN175	192-210	305	130	190	4-M12x220	4-M12x280	12.0	14.5
DN200	218-235	315	130	190	4-M12x220	4-M12x280	13.5	16.5
DN225	242-267	350	130	250	4-M12x220	4-M12x350	15.0	17.3
DN250	272-289	395	130	250	6-M12x220	6-M12x350	15.0	18.6
DN300	315-332	450	130	250	6-M12x220	6-M12x350	19.0	23.2
DN300	322-339	460	130	250	6-M12x220	6-M12x350	19.0	25.8
DN350	340-360	490	130	250	8-M14x250	8-M14x350	27.0	33.8
DN350	351-378	510	130	250	8-M14x250	8-M14x350	28.0	34.8
DN350	374-391	520	130	250	8-M14x250	8-M14x350	30.0	36.8

*S: Standard Sleeve L: Long Sleeve

RTC product specification in this catalogue for reference only, the product construction subject to RTC's design, RTC reserve the right to change the design, construction, specification without prior notice and without incurring any obligation. Any definite information kindly contact with RTC directly.

Universal Flange Adaptor

Fig. P211A



■ Features

- Ductile Iron GGG50 material with FBE coated.
- PN10, PN16 working pressure.
- Equipped with dacromet steel bolts, nuts.
- EPDM or NBR rubber seals.
- High Tolerance Mechanical Pipe Fittings.
- Angular deflection +/-3° .

■ Material Specification

No.	Parts Name	Material	Specification
1	Body	Ductile Iron	GGG50
2	End Ring	Ductile Iron	GGG50
3	Rubber Seal	Rubber	EPDM
4	Bolt	Dacromet Coated Steel	ISO898-1:1999
5	Washer	Dacromet Coated Steel	
6	Nut	Dacromet Coated Steel	ISO898-2:1992
7	Cap	Plastic	

Other Fasteners like zinc plated or Teflon coated or stainless steel are all available on request.

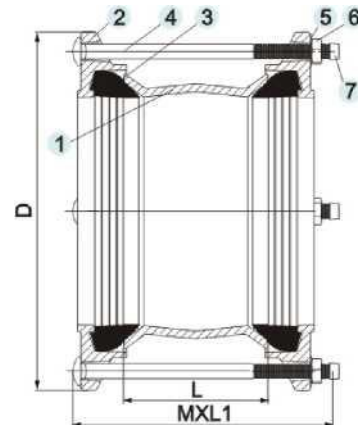
■ Dimensions(mm)

Size	Pipe OD (mm)	D	D2	D3	L1	M x L	Bolt No.	Eight (kg)	Flange Designation			
									PN10/PN16	ANSI125/150	Table D	Table E
DN50	58-74	166	110	50	100	M12x150	4	4.2	•	•	•	•
DN60	68-84	187	125	65	100	M12x150	4	5.0	•	•	•	•
DN80	84-105	200	140	80	100	M12x150	4	6.3	•	•	•	•
DN100	99-118	235	155	100	100	M12x150	4	6.8	•	•	•	•
DN100	109-133	235	155	100	105	M12x150	4	7.8	•	•	•	•
DN125	133-157	285	185	133	110	M12x170	4	11.0	•	•	•	•
DN150	157-182	285	215	150	110	M12x170	4	12.5	•	•		•
DN200	194-215	345	265	200	120	M12x170	4	15.5	•	•		•
DN200	218-242	245	265	200	120	M12x170	4	17.5	•	•		•
DN250	242-268	410	320	245	120	M12x170	6	20.5	•	•		
DN250	266-291	410	320	250	120	M12x170	6	21.0	•	•		
DN250	280-305	410	320	250	120	M12x170	6	25.5	•	•		
DN300	302-327	490	370	300	120	M12x170	6	27.0	•	•		•
DN300	324-350	455	410	310	140	M12x190	6	24.0	•			
DN350	352-378	520	470	350	120	M14x170	8	25.4	•			
DN350	384-410	520	470	360	140	M14x190	8	29.2	•			
DN400	384-410	580	525	400	160	M14x210	8	29.2	•			
DN400	410-436	580	525	400	160	M14x210	8	34.5	•			
DN400	436-462	580	525	410	160	M14x210	8	36.8	•			

RTC product specification in this catalogue for reference only, the product construction subject to RTC's design, RTC reserve the right to change the design, construction, specification without prior notice and without incurring any obligation. Any definite information kindly contact with RTC directly.

Universal Coupling

Fig. P211C



■ Features

- Ductile Iron GGG50 material with FBE coated.
- PN10.PN16 working pressure.
- Equipped with dacromet steel bolts, nuts.
- EPDM or NBR rubber seals.
- High Tolerance Mechanical Pipe Fittings.
- Angular deflection +/-6°.

■ Dimensions(mm)

Size	Pipe OD(mm)	L	MxL1	Bolt Number	Weight(kg)
DN50	58-74	100	M12x190	4	2.6
DN65	68-84	100	M12x190	4	3.9
DN80	84-105	100	M12x190	4	5.2
DN100	99-118	100	M12x190	4	5.5
DN100	109-133	100	M12x190	4	6.8
DN125	133-157	100	M12x190	4	6.8
DN150	157-182	115	M12x210	4	9.4
DN150	177-201	115	M12x210	4	9.8
DN200	194-215	115	M12x210	4	9.9
DN200	218-242	160	M12x230	6	14.4
DN225	242-268	160	M12x230	6	18.5
DN250	266-291	160	M12x250	6	18.6
DN250	280-305	160	M12x250	6	20.5
DN300	302-327	160	M12x250	6	22.0
DN300	324-350	160	M14x260	6	16.5
DN350	352-378	160	M14x260	8	19.9
DN350	384-410	160	M14x260	8	21.1
DN400	410-436	160	M14x260	8	21.8
DN400	436-462	160	M14x260	8	23.5

■ Material Specification

No.	Parts Name	Material	Specification
1	Center Sleeve	Ductile Iron	GGG50
2	End Ring	Ductile Iron	GGG50
3	Rubber Seal	Rubber	EPDM
4	Bolt	Dacromet Coated Steel	ISO898-1:1999
5	Washer	Dacromet Coated Steel	
6	Nut	Dacromet Coated Steel	ISO898-2:1992
7	Cap	Plastic	

Other Fasteners like zinc plated or Teflon coated or stainless steel are all available on request.

RTC product specification in this catalogue for reference only, the product construction subject to RTC's design, RTC reserve the right to change the design, construction, specification without prior notice and without incurring any obligation. Any definite information kindly contact with RTC directly.

Ultra-Fit Universal Flange Adaptor

Fig. P212A

-RTC Ultra-Fit universal flange adaptor with up to 34mm tolerance on pipe OD, one flange adaptor is able to connect a wide variety of pipe materials including ductile iron, steel, PVC, asbestos cement, GRP ...pipes .Thus reduces the need for stockholding and increase stock turn over, it is an adaptable and economic solution to most pipe connections.

■ Design Features

■ Perfect Sealing Gasket

-The sealing gasket with good circumferential ribs which provides a easy slide fits for maximum sealing even on pitted, scored or corroded pipes.

■ Ultra-Flexibility Flange Connection

-The flange hole of the ultra-fit universal flange adaptor have multi drilling, IS07005-1 PN10/PN16.BS EN1092-1, BS10 Table D/E; AS2129 Table D/E; AWWA/ANSi etc. Which increases the selection for customer.

■ Excellent Coating Protection

-The normal painting for universal fittings is RAL5017 fusion bond epoxy coated powder which with good anticorrosion characteristic, and the bolts and nuts are Dacromet, which with good anticorrosion, thermostability characteristic than Zinc Plated.

■ Exceptional Sealing Capabilities

-The flange have an extended sealing face, which can help to limit the pipe length that extend to flange adaptor, also with better sealing area.



■ Material And Relevant Standards

■ Flanged Adaptor Body & End Rings

-Ductile Iron to BS EN-GJS-500-7

■ Gaskets Standard

-EPDM TO BS EN 681-1

-NBR TO BS EN 682

■ Tee Bolts/Bolts

-Standard: Steel to BS EN ISO 898-1 Class 4.8

-Other material available for request.

■ Nuts/Washers

-Nuts: Steel to BS EN ISO 898-2.

-Other material available for request.

■ Washers

-Dacromet Coated Steel

■ Coatings

-Blue FBE coated to RAL5017

-Option: Rilsan Nylon 11.

■ Relevant Benefits

-Up to 30mm wide tolerance help customers to reduce the stock holding

-More than 40 years use life design by select good rubber with rigorous accelerated age testing check.

-The flange adaptor accommodate angularity between pipes which allows for normal pipeline movement caused by ground settlement, total angular deflection is 3° .

-A rigorous bolt torque test is completed to confirm that the bolt, end ring and adaptor body are capable of withstanding bolt over-tightening to 1.5 times maximum recommended torque.

Ultra-Fit Universal Flange Adaptor

Fig. P212A



■ Features

- Ductile Iron GGG50 material with FBE coated.
- PN10.PN16 working pressure.
- Equipped with dacromet steel bolts, nuts.
- EPDM or NBR rubber seals.
- High Tolerance Mechanical Pipe Fittings.
- Angular deflection +/-3° .

■ Material Specification

No.	PartsName	Material	Specification I
1	Body	Ductile Iron	GGG50
2	End Ring	Ductile Iron	GGG50
3	Rubber Seal	Rubber	EPDM
4	Bolt	Dacromet Coated Steel	ISO898-1:1999
5	Washer	Dacromet Coated Steel	
6	Nut	Dacromet Coated Steel	ISO898-2:1992
7	Cap	Plastic	

■ Dimensions(mm)

ODRange (mm)		Diameter (mm)	Bores (mm)	Overall Length	Sleeve Length x Thickness	Setting Gap (mm)	Max Gap (mm)	Bolts No. -Dia x Length	Flange Drilling	Weight (k0)
Min	Max	M	S	L	(A) X (T)					
57	74	163.4	59	124	75.0x4.5	20	40	4-M12x115	50PN10:16,2.5" BS10 Table ADE, 2" ANSI125	2.7
63	85	196.9	75	124	75.0x4.5	20	40	4-M12x115	60 PN10:16,65PN10:16, 80 PN10:16,3"BS10 Table ADE, 2.5" ANSI125, 3"ANSI125 80AS2129 CD.80AS4087E	3.5
85	107	202.5	101	124	75.0x4.5	20	40	4-M12x115	80 PN10:16,3"ANSI125, 3.5" BS10 Table AD, 3.5" BS10 Table E	3.7
107	132	228.0	110	124	75.0x4.5	20	40	4-M12x125	100PN 10:16, 4"BS10Table AD, 4" BS10TableE,4" AWWAC207 D, 100AS2129 CD, 100AS4087E	4.4
132	158	281.5	150	134	75.0x5.0	20	40	4-M12x125	125 PN10:16,150 PN10:165" BS10Table A, 5" BS10 Table DE, 6" BS10TableA, 6" Bs10 Table D,6" BS10Table E, 6" AWWAC207 D, 125AS2129CD, 150AS2129 CD, 125 AS4087 E, 150AS4087E	5.6
158	184	281.2	173	134	75.0x5.0	20	40	4-M12x125	150PN10:16,6" BS 10 Table A, 6" BS10TableD,6" AWWA, C207 D, 150AS4087 E.150AS2129CD,	6
189	212	336.5	202	133	75.0x5.0	25	40	4-M12x125	200 PN10:16, 8" BSIOTable AD, 8" AWWAC207 D, 200 AS2129 CD, 200AS4087 E	8.3
218	244	337.8	225	134	75.0x5.0	25	40	4-M12x125	200 PN10:16, 8" BSIOTable AD,8"AWWAC207D,200 AS2129CD	8.3
243	269	401.5	252	144	85.0x5.0	25	50	6-M12x140	250 PN10:16, 250AS4087 E	10.9
266	295	402.1	277	146	85.0x5.0	25	50	6-M12x140	250 PN10:16, 250AS4087 E	11.4
315	349	457.8	329	155	140.0x6.0	25	60	6-M12x190	300PN10:16, 12"BS10 Table D, 300 AS2129 CD	26

Dedicated Coupling & Flange

For Ductile Iron & Steel Pipes



Dedicated Coupling & Flange Adaptor

-RTC Single OD Dedicated Flange Adaptors Covering a similar range to the straight coupling, are manufactured to join plain ended pipe to flanged valves, fittings, flow meters and pipes. Flange drillings are available to all international standards or to customer specifications. Fowry dedicated couplings join pipes of the same outside diameter, such couplings can be manufactured to suit both metric and imperial dimensions for Steel, Ductile Iron pipes etc.

■ Design Features

■ Long Life Sealing

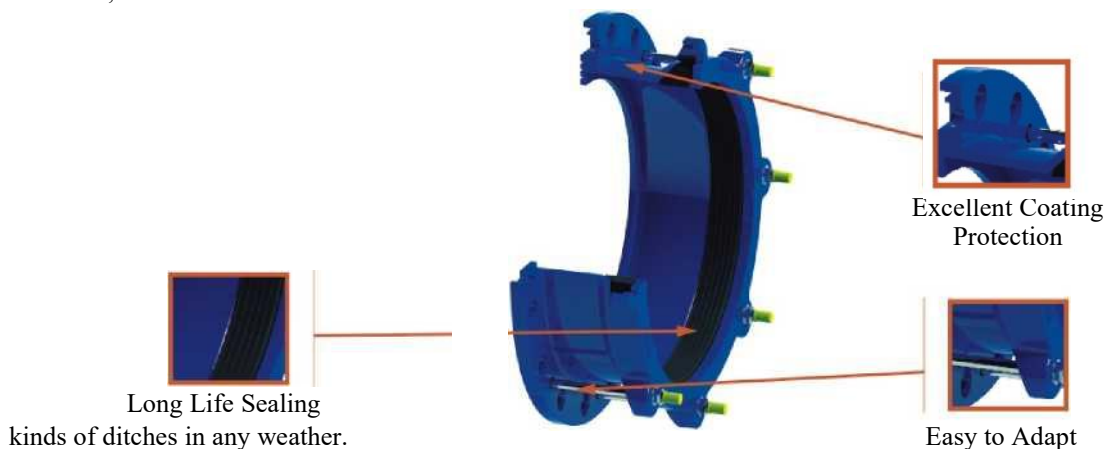
-The elastometric sealing gasket can supply more than 25years lifetime.

■ Easy to Adapt

Available to many installation conditions, like underwater,

■ Excellent Coating Protection

The normal painting for universal fittings is RAL5017 fusion bond epoxy coated powder which with good anticorrosion characteristic, and the bolts and nuts are Dacromet coating, which with good anticorrosion, thermostability characteristic.



Material and Relevant Standards

Coupling

■ Centre Sleeve & End Rings

- Ductile Iron to BS EN-GJS-500-7
- Mild Steel to EN10025 S235JR.

Gaskets

■ Standard

- EPDM TO BS EN681-1
- NBR TO BS EN682

■ Tee Bolts/Bolts

- Standard: Steel to BS EN ISO 898-1 Class4.8
- Other material available for request.

■ Nuts/Washers

- Nuts: Steel to BS EN ISO 898-2 .
- Other material available for request.

■ Washers

- Decromet Coated Steel

■ Coatings

- Blue FBE coated to RAL5017
- Option: Rilsan Nylon 11.

Flange Adaptor

■ Body & End Ring

- Ductile Iron to BS EN-GJS-500-7
- Mild Steel to EN10025 S235JR.

Gaskets

■ Standard

- EPDM TO BS EN681-1
- NBR TO BS EN682

■ Tee Bolts/Bolts

- Standard: Steel to BS EN ISO 898-1 Class4.8
- Other material available for request.

■ Nuts/Washers

- Nuts: Steel to BS EN ISO 898-2.
- Other material available for request.

■ Washers

- Decromet Coated Steel

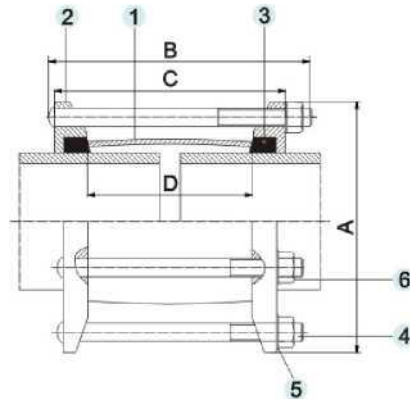
■ Coatings

- Blue FBE coated to RAL5017
- Option: Rilsan Nylon 11.

Dedicated Coupling

Fig. P320C

For Ductile Iron Pipe



■ Features

- Ductile Iron GGG50 material with FBE coated.
- PN10, PN16 working pressure.
- Equipped with Dacromet Steel bolts, nuts.
- EPDM or NBR rubber seals.
- Suitable for Ductile Iron Pipes.

■ Material Specification

No.	PartsName	Material	Specification
1	CenterSleeve	Ductile Iron	GGG50
2	End Ring	Ductile Iron	GGG50
3	Rubber Seal	Rubber	EPDM
4	Bolt	Dacromet Coated Steel	ISO898-1:1999
5	Washer	Dacromet Coated Steel	
6	Nut	Dacromet Coated Steel	ISO898-2:1992

■ Dimensions(mm)

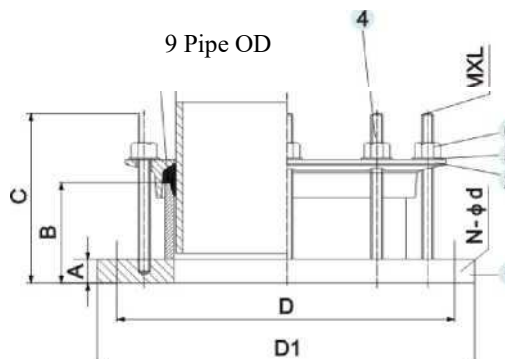
Size	Pipe O.D	A	B	C	D	Bolts No.	Bolts Size (MxL)	Size	Pipe O.D	A	B	C	D	Bolts No.	Bolts Size (MxL)
DN40	56	120	166	125	102	2	M12x158	DN500	532	650	254	210	152	10	M16x240
DN50	66	126	166	125	102	2	M12x158	DN600	635	753	254	210	152	12	M16x240
DN60	77	135	166	125	102	2	M12x158	DN700	738	858	254	210	152	12	M16x240
DN65	82	156	166	125	102	2	M12x158	DN800	842	962	254	210	152	12	M16x240
DN80	98	184	166	130	102	4	M12x158	DN900	945	1070	280	238	178	14	M16x280
DN100	118	205	166	130	102	4	M12x158	DN1000	1048	1173	280	238	178	14	M16x280
DN125	144	232	166	130	102	4	M12x158	DN1100	1152	1282	280	240	178	16	M16x280
DN150	170	264	173	133	102	4	M12x165	DN1200	1255	1385	280	240	178	18	M16x280
DN200	222	315	173	133	102	6	M12x165	DN1400	1462	1592	295	250	178	20	M20x280
DN250	274	374	173	136	102	6	M12x165	DN1600	1668	1798	295	250	178	24	M20x280
DN300	326	426	173	136	102	6	M12x165	DN1800	1875	2015	375	320	254	32	M20x360
DN350	378	494	254	200	152	8	M16x240	DN2000	2082	2222	375	320	254	36	M20x360
DN400	429	544	254	200	152	8	M16x240								
DN450	480	595	254	200	152	10	M16x240								

RTC product specification in this catalog for reference only, the product construction subject to RTC's design, RTC reserves the right to change the design, construction, specification without prior notice and without incurring any obligation. Any definite information kindly contact with RTC directly.

Dedicated Flange Adaptor

Fig. P320A

For Ductile Iron Pipe



■ Features

- Ductile Iron GGG50 material with FBE coated.
- PN10.PN16 working pressure.
- Equipped with Dacromet Steel bolts, nuts.
- EPDM or NBR rubber seals.
- Suitable for Ductile Iron Pipes.

■ Materia Specification

No.	Parts Name	Material	Specification
1	Body	Ductile Iron	GGG50
2	End Ring	Ductile Iron	GGG50
3	Rubber Seal	Rubber	EPDM
4	Bolt	Dacromet Coated Steel	ISO898-1:1999
5	Washer	Dacromet Coated Steel	
6	Nut	Dacromet Coated Steel	ISO898-2:1992

■ Dimensions(mm)

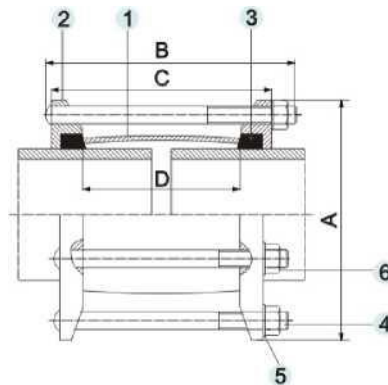
Size	Pipe OD	B	C	A	PN10 Flange Drilling			PN16 Flange Drilling			Bolts No.	Bolts Size (MxL)
					D	D1	N-Φd	D	D1	N-Φd		
DN40	56	73	105	19	150	110	4-19	150	110	4-19	4	M12x100
DN50	66	73	105	19	165	125	4-19	165	125	4-19	4	M12x100
DN60	77	73	105	19	175	135	4-19	175	135	4-19	4	M12x100
DN65	82	73	105	19	185	145	4-19	185	145	4-19	4	M12x100
DN80	98	73	105	19	200	160	8-19	200	160	8-19	4	M12x100
DN100	118	73	105	19	220	180	8-19	220	180	8-19	4	M12x100
DN125	144	76	115	19	250	210	8-19	250	210	8-19	4	M12x100
DN150	170	76	115	19	285	240	8-23	285	240	8-23	4	M12x110
DN200	222	76	115	20	340	295	8-23	340	395	12-23	4	M12x110
DN250	274	90	130	22	400	350	12-23	400	355	12-28	6	M12x120
DN300	326	90	130	24.5	455	400	12-23	455	410	12-28	6	M12x120
DN350	378	110	180	24.5	505	460	16-23	520	470	16-28	8	M16x170
DN400	429	110	180	24.5	565	515	16-28	580	525	16-31	8	M16x170
DN450	480	110	190	24.5	615	565	20-28	640	585	20-31	10	M16x170
DN500	532	115	190	26.5	670	620	20-28	715	650	20-34	10	M16x180
DN600	635	115	190	30	780	725	20-31	840	770	20-37	10	M16x180
DN700	738	115	190	32.5	895	840	24-31	910	840	24-37	12	M16x180
DN800	842	115	190	35	1015	950	24-34	1025	950	24-40	12	M16x180
DN900	942	120	190	37.5	1115	1050	28-34	1125	1050	28-40	14	M16x180
DN1000	1048	120	190	40	1230	1160	28-37	1255	1170	28-43	14	M16x180
DN1200	1255	130	190	45	1455	1380	32-40	1485	1390	32-49	16	M16x180
DN1400	1462	130	190	46	1675	1590	36-43	1685	1590	36-49	18	M20x200
DN1600	1668	190	275	49	1915	1820	40-49	1930	1820	40-56	20	M20x240
DN1800	1875	190	275	52	2115	2020	44-49	2130	2020	44-56	22	M20x240
DN2000	2082	190	275	55	2325	2230	48-49	2345	2230	48-62	24	M20x240

RTC product specification in this catalog for reference only, the product construction subject to RTC's design, RTC reserves the right to change the design, construction, specification without prior notice and without incurring any obligation.

Dedicated Coupling

Fig. P330C

For Steel Pipe



■ Features

- Ductile Iron GGG50 material with FBE coated.
- PN10,PN 16 working pressure.
- Equipped with Dacromet Steel bolts, nuts.
- EPDM or NBR rubber seals.
- Suitable for Steel Pipes.

■ Material Specification

No.	Parts Name	Material	Specification
1	CenterSleeve	Ductile Iron	GJS500-7
2	End Ring	Ductile Iron	GJS500-7
3	Rubber Seal	Rubber	EPDM
4	Bolt	Dacromet Coated Steel	ISO898-1:1999
5	Washer	Dacromet Coated Steel	
6	Nut	Dacromet Coated Steel	ISO898-2:1992

■ Dimensions(mm)

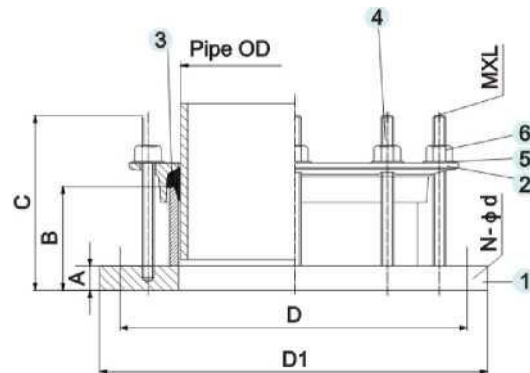
Size	Pipe O.D	A	B	C	D	Bolts No.	Bolts Size (MxL)	Size	Pipe O.D	A	B	C	D	Bolts No. (MXL)	Bolts Size (MXL)
DN15	21.3	98	150	112	83	2	M12x140	DN300	323.9	424	173	129	102	6	M12x152
DN20	26.9	102	150	112	83	2	M12x140	DN350	355.6	471	254	200	152	8	M16x240
DN25	33.7	115	150	112	83	2	M12x140	DN400	406.4	521	254	200	152	8	M16x240
DN32	42.4	120	150	112	83	2	M12x140	DN450	457.2	572	254	200	152	8	M16x240
DN40	48.3	125	150	112	83	2	M12x140	DN500	508	628	254	210	152	10	M16x240
DN50	60.3	138	150	112	83	2	M12x140	DN550	558.8	679	254	210	152	10	M16x240
DN65	76.1	160	160	118	102	2	M12x152	DN600	609.6	730	254	210	152	10	M16x240
DN80	88.9	172	160	125	102	3	M12x152	DN650	660.4	780	254	210	152	12	M16x240
DN90	101.6	184	160	125	102	4	M12x152	DN700	711.2	831	254	210	152	12	M16x240
DN100	114.3	200	160	125	102	4	M12x152	DN750	762	882	254	210	152	12	M16x240
DN125	139.7	232	173	125	102	4	M12x165	DN800	812.8	932	254	210	152	12	M16x240
DN150	165.2	258	173	125	102	4	M12x152	DN850	863.6	983	254	210	152	12	M16x240
DN150	168.3	260	173	125	102	4	M12x152	DN900	914.4	1040	254	210	152	14	M16x240
DN200	216.3	310	173	125	102	6	M12x152	DN1000	1016	1141	280	238	178	14	M16x280
DN200	219.1	313	173	125	102	6	M12x152	DN1050	1066.8	1197	280	240	178	16	M16x280
DN250	267.4	366	173	127	102	6	M12x152	DN1100	1117.6	1248	280	240	178	16	M16x280
DN250	273.1	373	173	127	102	6	M12x152	DN1200	1219.2	1350	280	240	178	16	M16x280
DN300	318.5	420	173	129	102	6	M12x152								

RTC product specification in this catalog for reference only, the product construction subject to RTC's design, RTC reserves the right to change the design, construction, specification without prior notice and without incurring any obligation. Any definite information kindly contact with RTC directly.

Dedicated Flange Adaptor

Fig. P330A

■ For Steel Pipe



■ Features

- Ductile iron GGG50 material with FBE coated.
- PN10,PN16 working pressure.
- Equipped with Dacromet Steel bolts,nuts.
- EPDM or NBR rubber seals.
- Suitable for Steel Pipes.

■ Material Specification

No.	Parts Name	Material	Specification
1	Body	Ductile Iron	GJS500-7
2	End Ring	Ductile Iron	GJS500-7
3	Rubber Seal	Rubber	EPDM
4	Bolt	Dacromet Coated Steel	ISO898-1:1999
5	Washer	Dacromet Coated Steel	
6	Nut	Dacromet Coated Steel	ISO898-2:1992

Dimensions(mm)

Size	Pipe O.D	B	C	A		PN10 Flange Drilling			PN16 Flange Drilling			Bolts No.	Bolts Size (MxL)
				PN10	PN16	D	D1	N-Φd	D	PCD	N-Φd		
DN50	60.5	73	105	19	19	165	125	4-19	165	125	4-19	4	M12x100
DN65	76.3	73	105	19	19	185	145	4-19	185	145	4-19	4	M12x100
DN80	89.1	73	105	19	19	200	160	8-19	200	160	8-19	4	M12x100
DN100	114.3	73	105	19	19	220	180	8-19	220	180	8-19	4	M12x100
DN125	139.8	76	115	19	19	250	210	8-19	250	210	8-19	4	M12x110
DN150	168.3	76	115	19	19	285	240	8-23	285	240	8-23	4	M12x110
DN200	219.1	76	115	20	20	340	295	8-23	340	295	12-23	4/6	M12x110
DN250	273.1	90	130	22	24	400	350	12-23	400	355	12-28	6	M12x120
DN300	323.9	90	130	24	24	455	400	12-23	455	410	12-28	6	M12x120
DN350	355.6	110	180	24	26	505	460	16-23	520	470	16-28	8	M16x170
DN400	406.4	110	180	24	28	565	515	16-28	580	525	16-31	8	M16x170
DN450	457.2	110	190	25	30	615	565	20-28	640	585	20-31	10	M16x170
DN500	508	115	190	26	31	670	620	20-28	718	650	20-34	10	M16x180
DN600	609.6	115	190	30	36	780	725	20-31	840	770	20-37	10	M16x180
DN700	711.2	115	190	32	39	895	840	24-31	910	840	24-37	12	M16x180
DN800	812.8	115	190	35	43	1015	950	24-34	1025	950	24-40	12	M16x180
DN900	914.4	115	190	37	46	1115	1050	28-34	1125	1050	28-40	14	M16x180
DN1000	1016	115	190	40	50	1230	1160	28-37	1255	1170	28-43	14	M16x180
DN1200	1219.2	130	190	45	57	1455	1380	32-40	1485	1390	32-49	16	M16x180

RTC product specification in this catalog for reference only, the product construction subject to RTC's design, RTC reserves the right to change the design, construction, Specification without prior notice and without incurring any obligation. Any definite information kindly contact with RTC directly.

Grip

Coupling & Flange

For HDPE Pipe



Tensile Restrained Coupling & Flange Adaptor

Fig.P402A&P402C

-RTC tensile restrained coupling & flange adaptor, are tensile resistant fittings for HDPE pipes, it contains an end load resistant mechanism, that grips and seals onto HDPE Pipes to prevent the pipe pull off from the pipe system. It's suitable for use with water, drainage, sewage ...pipe systems, and the maximum working temperature is 80° C.

■ Suitable for Water & Gas

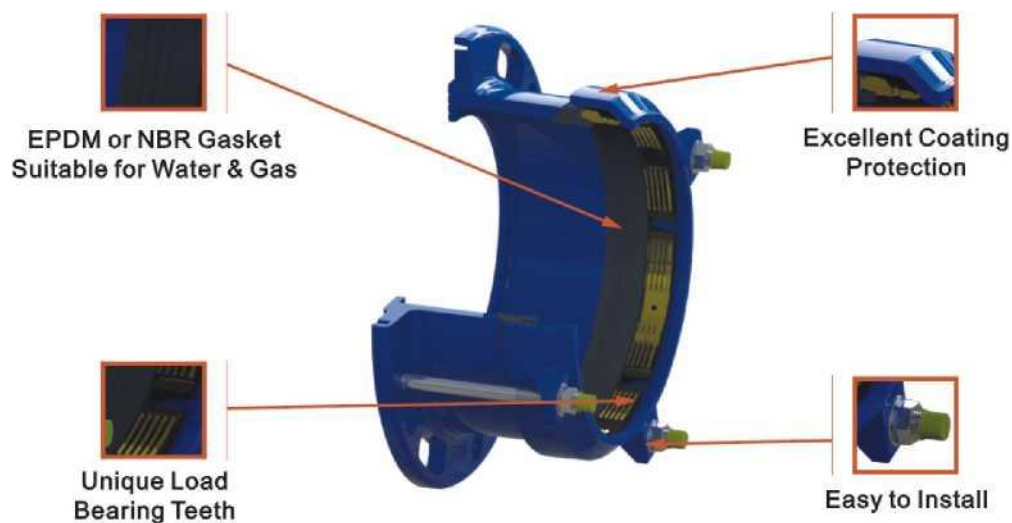
-The Restrained Coupling & Adaptor are supplied as standard with EPDM gasket for water applications to EN681, also available with NBR gasket to EN682 for natural gas, petroleum products, drainage, sewage ect.

■ Excellent Corrosion Protection

-Metal units are coated with RAL5017 fusion bond epoxy coated powder which with good anti corrosion characteristic. The nuts and bolts are Dacromet, offering long term protection against corrosion, impact and abrasion to ensure continued reliable performance.

■ Unique Load Bearing Teeth

-As the compression bolts are tightened, unique load bearing brass teeth are insert into the gasket grip around the outside diameter of the pipe, providing a fully end load restraint joint.



Material and Relevant Standards Coupling

■ Centre Sleeve

-Ductile Iron to EN-GJS-450-10, EN-GJS-500-7
-Rolled Steel to EN St.37.2

■ End Rings

-Ductile Iron to EN-GJS-450-10, EN-GJS-500-7

■ Bolts/Nuts/Washers

-Cold forged steel to ISO898-1, Class6.8, Dacromet Coated.
-Other material available for request.

■ Sealing Ring

-EPDM to BS EN 681-1+Brass Teeth

■ Coatings

-RAL5017FBE coated.
-Others available on request.

Flange Adaptor

■ Body & End Ring

-Ductile Iron to BS EN-GJS-500-7

■ End Rings

-Ductile Iron to EN-GJS-450-10, EN-GJS-500-7

■ Bolts/Nuts/Washers

-Cold forged steel to ISO898-1, Class6.8, Dacromet Coated.
-Other material available for request.

■ Sealing Ring

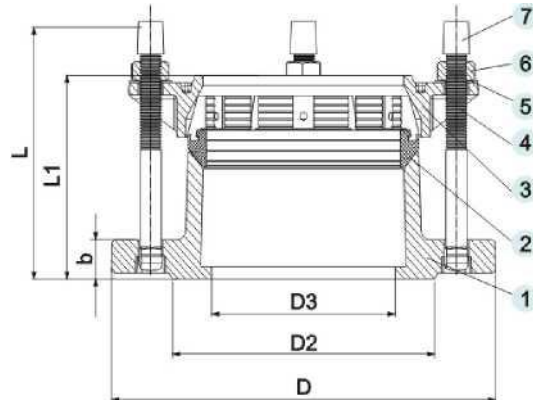
-EPDM to BS EN 681-1+Brass Teeth

■ Coatings

-RAL5017FBE coated.
-Others available on request.

Tensile Restrained Flange Adaptor for HDPE Pipe

Fig. P402A



■ Features

- Ductile Iron GGG50 material with FBE coated.
- PN10,PN16 working pressure.
- Equipped with Dacromet Steel bolts, nuts.
- EPDM or NBR rubber seals.
- High Tolerance Mechanical Pipe Fittings.
- Angular are deflection $\pm 3^\circ$.

■ Material Specification

No.	Parts Name	Material	Specification
1	Body	Ductile Iron	GGG50
2	Sealing Ring	Rubber+Brass	EPDM+Brass
3	End Ring	Ductile Iron	GGG50
4	Bolts	Dacromet Coated Steel	ISO898-1:1999
5	Washer	Dacromet Coated Steel	
6	Nuts	Dacromet Coated Steel	ISO898-2:1992
7	Cap	Plastic	

*Other Fasteners like Zinc Plated or PTFE coated are all available on request.

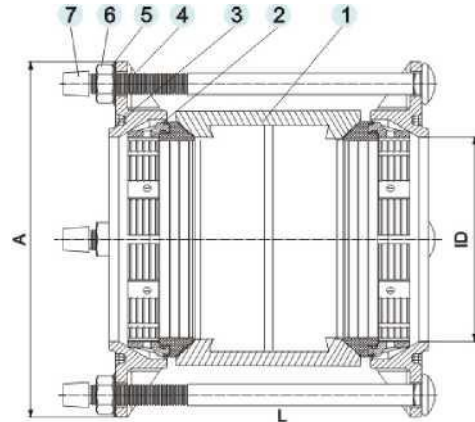
■ Dimensions(mm)

Size	Pipe OD	D3	D	b	L1	L	Bolts Qty	DIN EN PN10/PN16	Weight kg
DN50	50	50	165	19	63	115	2xM12	•	3.61
DN50/DN60/DN65	63	55	180	19	63	115	2xM12	•	4.29
DN60/DN65	75	66	180	19	63	115	2xM12	•	4.39
DN80	90	84	180	19	63	115	4xM12	•	4.58
DN100	110	105	200	19	63	115	4xM12	•	6.44
DN125	125	135	220	19	63	115	4xM12	•	6.63
DN150	160	154	285	19	63	115	4xM12	•	8.39
DN200	200	210	340	19	63	140	4xM14	•	13.75
DN200	225	210	340	20	88	160	4xM14	•	14.72
DN250	250	260	400	22	88	160	6xM16	•	23.89
DN250	280	275	400	22	88	160	6xM16	•	24.38
DN300	315	302	455	24	88	160	6xM16	•	27.89

RTC product specification in this catalogue for reference only, the product construction subject to RTC's design, RTC reserve the right to change the design, construction, specification without prior notice and without incurring any obligation. Any definite information kindly contact with RTC directly.

Tensile Restrained Coupling for HDPE Pipe

Fig. P402C



■ Features

- Ductile Iron GGG50 material with FBE coated.
- PN10,PN16 working pressure.
- Equipped with Dacromet Steel bolts, nuts.
- EPDM or NBR rubber seals.
- High Tolerance Mechanical Pipe Fittings.
- Angular are deflection $\pm 3^\circ$.

Material Specification

No	Parts Name	Material	Specification
1	CenterSleeve	Ductile Iron	GGG50
2	Sealing Ring	Rubber+Brass	EPDM+Brass
3	End Ring	Ductile Iron	GGG50
4	Bolts	Dacrome Coate Steel	ISO898-1:1999
5	Washer	Dacrome Coate Steel	
6	Nuts	Dacrome Coate Steel	ISO898-2:1992
7	Cap	Plastic	

*Other Fasteners like Zinc Plated or PTFE coated are all available on request.

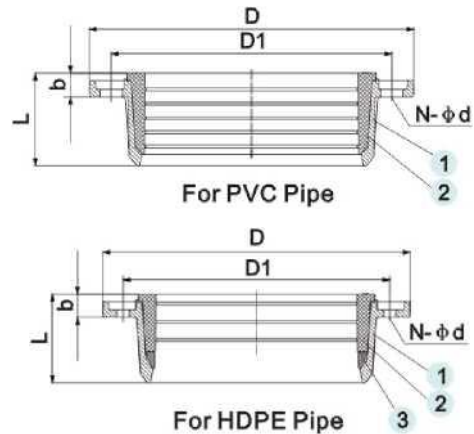
■ Dimensions(mm)

Pipe OD	ID	A	L	Bolts Qty	Weight(kg)
50	55	140	95	2xM12	2.73
63	67	150	95	2xM12	3.41
75	80	150	95	4xM12	4.10
90	95	180	95	4xM12	4.58
110	115	200	95	4xM12	6.34
125	130	240	95	4xM12	7.80
160	165	270	95	4xM14	9.56
200	205	325	110	4xM14	15.11
225	230	325	135	4xM14	19.01
250	255	380	135	6xM16	27.30
280	285	380	135	6xM16	29.25
315	320	420	170	6xM16	43.88

RTC product specification in this catalogue for reference only, the product construction subject to RTC's design, RTC reserve the right to change the design, construction, specification without prior notice and without incurring any obligation. Any definite information kindly contact with RTC directly.

Quick Flange Adaptor for PVC/HDPE Pipes

Fig. P400A



■ Features

- Ductile Iron GGG50 material with FBE coated.
- PN10,PN16 working pressure.
- EPDM or EPDM+Brass Seal Ring.
- Flange Drilling to ISO PN10/PN16.

■ Material Specification

No.	Parts Name	Material	Specification
1	Body	Ductile Iron	GGG50
2	Seal Ring	Rubber	EPDM
3	Grip Ring	Brass	

■ Dimensions(mm)

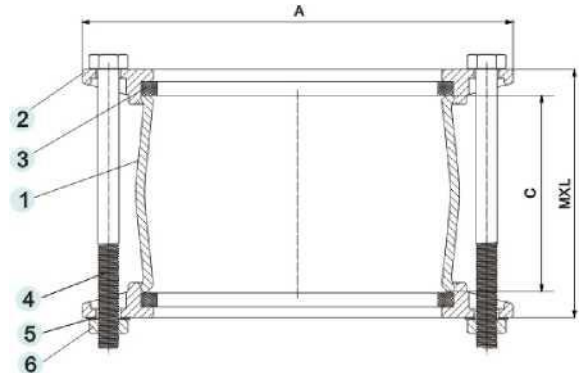
Size	Pipe OD	D	b	L	PN10		PN16		Weight(kg)	
					D1	N-Φd	D1	N-Φd	PVC	HDPE
DN40	50	165	19	48	110	4-19	110	4-19	1.74	1.79
DN50/DN65	63	165	19	53	125	4-19	125	4-19	1.84	1.90
DN60/DN65	63	185	19	53	135/145	4-19	135/145	4-19	1.72	1.78
DN60/DN65	75	185	19	57	135/145	4-19	135/145	4-19	1.89	1.96
DN80	75	200	19	57	160	8-19	160	8-19	2.46	2.54
DN80	90	200	19	63	160	8-19	160	8-19	2.46	2.57
DN100	110	220	19	63	180	8-19	180	8-19	3.09	3.24
DN125	125	250	19	72	210	8-19	210	8-19	4.14	4.46
DN125	140	250	19	72	210	8-19	210	8-19	4.32	4.83
DN150	160	285	19	87.5	240	8-23	240	8-23	5.45	6.07
DN200	200	340	20	93.5	295	8-23	295	12-23	6.25	7.14
DN200	225	340	20	93.5	295	8-23	295	12-23	7.18	8.11
DN250	250	400	22	98	350	12-23	355	12-28	9.73	10.93
DN300	315	455	24.5	115	400	12-23	410	12-28	14.04	15.44
DN350	355	520	26.5	115	460	16-23	470	16-28	25.00	26.80
DN400	400	580	28	128	515	16-28	525	16-31	21.80	23.54

RTC product specification in this catalogue for reference only, the product construction subject to RTC's design, RTC reserve the right to change the design, construction, specification without prior notice and without incurring any obligation. Any definite information kindly contact with RTC directly.

Gibault Joint for PVC Pipe

Fig. P405C

■ For PVC Pipe



■ Features

- Cast Iron GG20 with Black Bitumen Painting.
- PN10.PN16 working pressure.
- Equipped with Galvanized Steel, bolts, washers, nuts.
- EPDM or NBR rubber seals.

■ Material Specification

No.	Parts Name	Material	Specification
1	Center Sleeve	Cast Iron	GG20
2	End Ring	Cast Iron	GG20
3	Seal Ring	Rubber	EPDM
4	Bolt	Galvanized Steel	
5	Washer	Galvanized Steel	
6	Nut	Galvanized Steel	

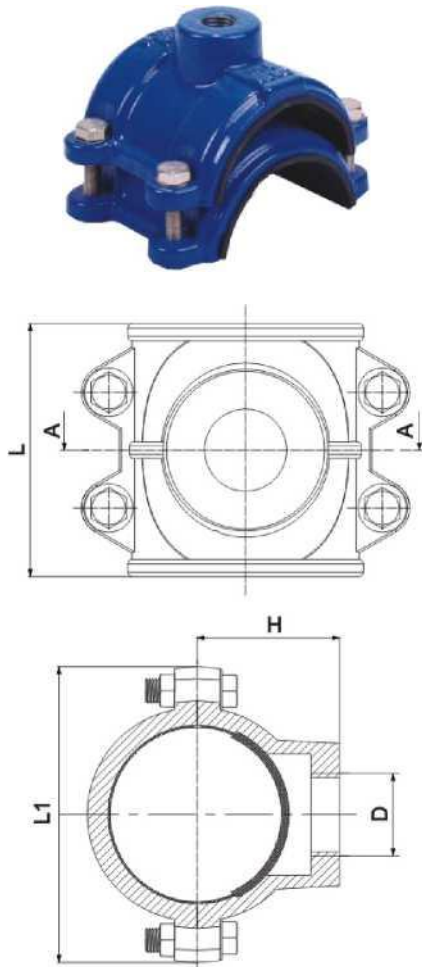
■ Dimensions(mm)

PVC Pipe OD	A	C	Bolts Number	MxL	Weight(kg)
50	130	80	2	M10x160	2.2
63	137	100	2	M10x160	2.2
75	149	100	2	M10x160	2.7
90	164	120	2	M10x180	3
110	184	120	3	M10x180	4.5
125	199	120	3	M12x190	6.5
140	214	120	3	M12x190	7
160	234	140	3	M12x210	8
180	254	140	3	M12x210	10
200	274	140	3	M12x210	12
250	341	160	4	M14x240	19
315	406	160	4	M14x240	25
400	495	160	6	M14x240	30
500	600	160	6	M14x240	40

RTC product specification in this catalogue for reference only, the product construction subject to RTC's design, RTC reserve the right to change the design, construction, specification without prior notice and without incurring any obligation. Any definite information kindly contact with RTC directly.

Saddle Clamp for PVC Pipe

Fig. P505A



■ Features

- Ductile Iron GGG50 material with FBE coated.
- PN10,PN16 working pressure.
- Equipped with Dacromet Steel bolts, nuts.
- EPDM or NBR rubber seals.
- High Tolerance Mechanical Pipe Fittings.
- Angular deflection +/-3°.

■ Material Specification

No.	Parts Name	Material	Specification
1	Upper Body	Ductile Iron	GGG50
2	Under Body	Ductile Iron	GGG50
3	Gasket	Rubber	EPDM
4	Body Liner	Rubber	EPDM
5	Bolts	Dacromet Coated Steel	
6	Nuts		

*Other Fasteners like Zinc Plated or PTFE coated are all available on request.

■ Dimensions(mm)

Φ	D	L	L1	H	Weight (Kg)
50	G3/4"	100	122	50	1.4
	G1"	100	122	50	1.4
63	G3/4"	100	136	58	1.6
	G1"	100	136	58	1.6
	G1 1/4"	100	136	58	1.6
	G1 1/2"	100	136	58	1.6
	G2"	100	136	58	1.6
75	G3/4"	120	145	75	2.1
	G1"	120	145	75	2.1
	G1 1/4"	120	145	75	2.1
	G1 1/2"	120	145	75	2.1
	G2"	120	145	75	2.1
90	G3/4"	120	156	77	2.5
	G1"	120	156	77	2.5
	G1 1/4"	120	156	77	2.5
	G1 1/2"	120	156	77	2.5
	G2"	120	156	77	2.5
110	G3/4"	140	185	88	3.4
	G1"	140	185	88	3.4
	G1 1/4"	140	185	88	3.4
	G1 1/2"	140	185	88	3.4
	G2"	140	185	88	3.4
125	G3/4"	140	200	96	3.5
	G1"	140	200	96	3.5
	G1 1/4"	140	200	96	3.5
	G1 1/2"	140	200	96	3.5
	G2"	140	200	96	3.5
140	G3/4"	140	225	105	5.2
	G1"	140	225	105	5.2
	G1 1/4"	140	225	105	5.2
	G1 1/2"	140	225	105	5.2
	G2"	140	225	105	5.2
160	G3/4"	170	240	113	5.7
	G1"	170	240	113	5.7
	G1 1/4"	170	240	113	5.7
	G1 1/2"	170	240	113	5.7
	G2"	170	240	113	5.7
200	G1"	200	310	133	10
	G1 1/4"	200	310	133	10
	G1 1/2"	200	310	133	10
	G2"	200	310	133	10
	G2 1/2"	200	310	133	10
250	G3"	200	310	133	10
	G3/4"	200	360	158	14
	G1"	200	360	158	14
	G1 1/4"	200	360	158	14
	G1 1/2"	200	360	158	14
	G2"	200	360	158	14
	G2 1/2"	200	360	158	14
315	G3"	200	360	158	14
	G3/4"	200	440	191	17
	G1"	200	440	191	17
	G1 1/4"	200	440	191	17
	G1 1/2"	200	440	191	17
	G2"	200	440	191	17
	G2 1/2"	200	440	191	17

RTC product specification in this catalogue for reference only, the product construction subject to RTC's design, RTC reserve the right to change the design, construction, specification without prior notice and without incurring any obligation. Any definite information kindly contact with RTC directly.

Repair Clamp

Single, Double, Triple
Band

For Ductile Iron, Steel & PV pipes

O
o'



Stainless Steel Repair Clamp

Full Circle

- RTC Stainless steel repair clamp provides a permanent repair to most damaged pipes, with holes, cracks and breaks. For water, gas and petrochemical fluids.
- RTC Stainless steel repair clamp are consist of one or more stainless steel band sections to which cast or fabricated lugs are securely attached. So each clamp has the capability to fit wide range of pipe diameter like CI, DI, STEEL, PVC/PE.AC pipe....

■ Corrosion Material

- Fully-passivated stainless steel components without need any further protection on site. Dacromet coated bolts & Nuts to preventing corrosive.

■ Reliable Seal

- Full circumferential style rubber gasket supplies a guaranteed reliable seal around the pipe

■ Simple Constructure, Easy To Installation

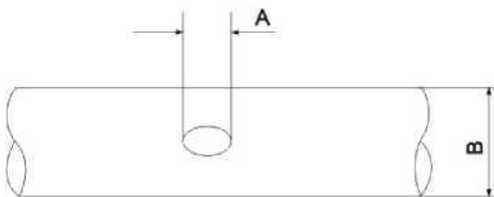
- Rapid installation in poor site conditions, mady easy with simple, "flip-over" action and self retaining bolts.



- No spcial tools required.
- One clamp can connects wide range pipe diameter.

■ Installation Length Selection

- For normal pipes, the installation length of the repair clamp should be the size of the damaged area(A) plus the pipe outside diameter(B), that's A+B.
- For PE/PVC pipes, the installation length of the repair clamp should be add 50% of the above value to the sum.



■ Features

- Simple to install.
- Fully constructed from 304,316,201 stainless steel for high corrosion protection.
- One clamp can connects wide range pipe diameter.
- Able to adapt to pipe irregularities or ovality.
- Fully passivated.
- Sharp surfaces finished to avoid harm to installer.
- Minimum downtime to affected mains.
- Dispatched with installation instructions

Stainless Steel Repair Clamp-Ductile Iron Lugs

Fig. P501-P502

Material and Relevant Standards

■ Main Parts

Body, Bridge Plate, Lockable Plate, Bolts, Nuts, Washer are all stainless steel AISI304(A2).

■ Gasket

EPDM for normal application, NBR, SILICONE, VITON for option.

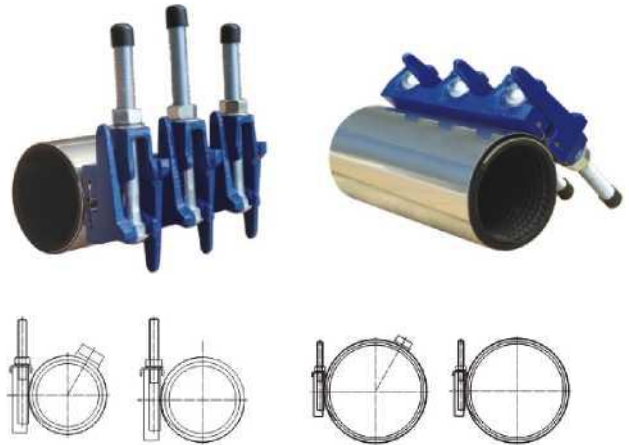
EPDM to BS EN681-1/NBR to EN682.

Our rubber had approved by WRAS(UK), any certificate request pls feel free to contact with RTC directly.

■ Lug

Ductile Iron Lugs to GGG50.

■ 501



O.D Range		Pressure(Bar)		No. of Band	O.D Range		Pressure(Bar)		No. of Band	Length (mm)
in	mm	Water	Gas		in	mm	Water	Gas		
2.32-2.64	59-67	16	5	1	7.60-7.99	193-203	16	4	1	150-600
2.56-2.87	65-73	16	5	1	7.95-8.35	202-212	16	4	1	150-600
2.72-2.99	69-76	16	5	1	8.58-8.98	218-228	16	4	1	150-600
2.95-3.27	75-83	16	5	1	8.74-9.17	222-233	16	4	1	150-600
3.39-3.70	86-94	16	5	1	9.02-9.41	229-239	10	3	1	150-600
3.46-3.86	88-98	16	5	1	9.29-9.69	236-246	10	3	1	150-600
3.58-3.86	91-98	16	5	1	9.76-10.16	248-258	10	3	1	150-600
3.70-4.02	94-102	16	5	1	9.84-10.24	250-260	10	3	1	150-600
4.25-4.65	108-118	16	4	1	9.92-10.35	252-263	10	3	1	150-600
4.45-4.76	113-121	16	4	1	10.28-10.67	261-271	10	3	1	150-600
4.76-5.16	121-131	16	4	1	10.67-11.06	271-281	10	3	1	150-600
4.96-5.35	126-136	16	4	1	11.02-11.46	280-291	10	3	1	150-600
5.20-5.59	132-142	16	4	1	11.34-11.73	288-298	10	3	1	150-600
5.71-6.10	145-155	16	4	1	11.73-12.17	298-309	10	3	1	150-600
5.94-6.34	151-161	16	4	1	11.81-12.20	300-310	10	3	1	150-600
6.26-6.69	159-170	16	4	1	11.97-12.36	304-314	10	3	1	150-600
6.54-6.97	166-177	16	4	1	12.64-13.03	321-331	10	3	1	150-600
6.69-7.09	170-180	16	4	1	13.11-13.50	333-343	10	3	1	150-600
6.85-7.24	174-184	16	4	1	13.39-13.82	340-351	10	3	1	150-600
7.05-7.44	179-189	16	4	1	13.70-14.09	348-358	10	3	1	150-600
7.44-7.83	189-199	16	4	1	14.02-14.41	356-366	10	3	1	150-600

Installation Length Selection:

1. For normal pipes, the installation length of the repair clamp should be the size of the damaged area(B) plus the pipe outside diameter(C), that's B+C.
2. For PE/PVC pipes, the installation length of the repair clamp should be add 50% of the above value to the sum.

■ 502

O.D Range		Pressure(Bar)		No. of Band	O.D Range		Pressure(Bar)		No. of Band	Length (mm)
in	mm	Water	Gas		in	mm	Water	Gas		
4.45-5.24	113-133	16	4	2	14.37-15.12	365-384	10	3	2	200-600
4.72-5.55	120-141	16	4	2	15.08-15.83	383-402	10	3	2	200-600
6.61-7.40	168-188	16	4	2	15.91-16.65	404-423	10	3	2	200-600
6.85-7.64	174-194	16	4	2	16.57-17.32	421-440	10	3	2	200-600
8.62-9.41	219-239	16	4	2	17.17-17.91	436-455	10	3	2	200-600
8.98-9.80	228-249	16	4	2	17.83-18.58	453-472	10	3	2	200-600
10.75-11.54	273-293	16	4	2	18.46-19.21	469-488	10	3	2	200-600
11.10-11.89	282-302	10	3	2	19.21-19.96	488-507	10	3	2	200-600
11.61-12.40	295-315	10	3	2	19.88-20.67	505-525	10	3	2	200-600
12.76-13.54	324-344	10	3	2	20.71-21.46	526-545	10	3	2	200-600
13.19-13.98	335-355	10	3	2	21.54-22.28	547-566	10	3	2	200-600
13.66-14.45	347-367	10	3	2	22.13-22.87	562-581	6	3	2	200-600
14.06-14.80	357-376	10	3	2	22.91-23.66	582-601	6	3	2	200-600

Full Stainless Steel Repair Clamp

Fig. P501S-P502S

Material and Relevant Standards

■ Main Parts

-Body, Bridge Plate, Lockable Plate, Bolts, Nuts, Washer are all stainless steel AISI304(A2).

■ Gasket

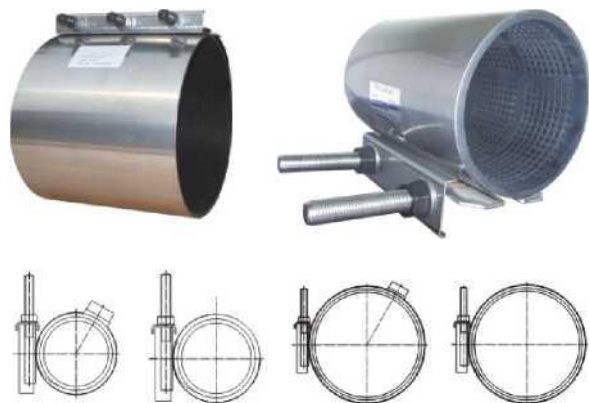
-EPDM for normal application, NBR, SILICONE, VITON for option.

-EPDM to BS EN681-1/NBR to En682

-Our rubber had approved by WRAS(UK),any certificate request pls feel free to contact with RTC directly.

■ Lug

-Stainless Steel to AISI 304 (A2)



■ 501S

O.D Range		Pressure(Bar)		No. of Band	O.D Range		Pressure(Bar)		No. of Band	Length (mm)
in	mm	Water	Gas		in	mm	Water	Gas		
1.89-2.28	48-58	16	5	1	8.58-8.98	218-228	16	4	1	150-600
2.17-2.56	55-65	16	5	1	8.98-9.37	228-238	16	3	1	150-600
2.64-3.03	67-77	16	5	1	9.37-9.76	238-248	10	3	1	150-600
3.27-3.66	83-93	16	5	1	9.72-10.12	247-257	10	3	1	150-600
3.62-4.02	92-102	16	5	1	10.16-10.55	258-268	10	3	1	150-600
4.21-4.61	107-117	16	4	1	10.67-11.06	271-281	10	3	1	150-600
4.84-5.12	123-130	16	4	1	11.10-11.50	282-292	10	3	1	150-600
5.31-5.71	135-145	16	4	1	11.57-11.97	294-304	10	3	1	150-600
5.71-6.10	145-155	16	4	1	11.89-12.28	302-312	10	3	1	150-600
6.22-6.61	158-168	16	4	1	12.20-12.60	310-320	10	3	1	150-600
6.54-6.93	166-176	16	4	1	12.60-12.99	320-330	10	3	1	150-600
6.81-7.20	173-183	16	4	1	12.87-13.27	327-337	10	3	1	150-600
7.09-7.48	180-190	16	4	1	13.46-13.86	342-352	10	3	1	150-600
7.40-7.80	188-198	16	4	1	14.02-14.41	356-366	10	3	1	150-600
7.68-8.07	195-205	16	4	1						150-600

■ 502S

O.D Range		Pressure(Bar)		No. of Band	O.D Range		Pressure(Bar)		No. of Band	Length (mm)
in	mm	Water	Gas		in	mm	Water	Gas		
3.39-4.17	86-106	16	4	2	14.06-14.84	357-377	10	3	2	150-600
4.45-5.24	113-133	16	4	2	14.37-15.16	365-385	10	3	2	150-600
4.72-5.55	120-141	16	4	2	15.08-15.87	383-403	10	3	2	150-600
6.61-7.40	168-188	16	4	2	15.91-16.69	404-424	10	3	2	150-600
6.85-7.64	174-194	16	4	2	16.57-17.36	421-441	10	3	2	150-600
8.62-9.41	219-239	16	4	2	17.17-17.95	436-456	10	3	2	150-600
8.98-9.80	228-249	16	4	2	17.83-18.62	453-473	10	3	2	150-600
9.84-10.24	250-260	16	4	2	18.46-19.25	469-489	10	3	2	150-600
10.75-11.54	273-293	16	3	2	19.21-20.00	488-508	10	3	2	150-600
11.10-11.89	282-302	10	3	2	19.88-20.67	505-525	10	3	2	150-600
11.61-12.40	295-315	10	3	2	20.67-21.46	525-545	10	3	2	150-600
12.76-13.54	324-344	10	3	2	21.50-22.28	546-566	10	3	2	150-600
13.19-13.98	335-355	10	3	2	22.13-22.91	562-582	10	3	2	150-600
13.66-14.45	347-367	10	3	2						

Repair Clamp with BSP outlet is possible on request, the normal outlet size include: 3/4", 1", 1 1/4", 1 1/2", 2".

Stainless Steel Repair Clamp-Small Bore Pipe

Fig. P503S

Material and Relevant Standards

■ Main Parts

-Body, Bridge Plate, Lockable Plate, Bolts, Nuts, Washer are all stainless steel AISI304(A2).

■ Gasket

-EPDM for normal application, NBR, SILICONE, VITON for option.

-EPDM to BS EN681-1/NBR to En682

-Our rubber had approved by WRAS(UK),any certificate request pls feel free to contact with RTC directly.



■ Lug

-Stainless Steel to AISI 304 (A2)

■ 503S

O.D Range		Pressure(Bar)	No. of Band	Length(mm)	Suitable Pipe O.D.(mm)	
In	mm				Steel Pipe	PVC/PE Pipe
0.79-0.87	20-22	10	1	75	21.3	20
1.02-1.10	26-28	10	1	75	26.9	25
1.26-1.34	32-34	10	1	75	33.7	32
1.57-1.69	40-43	10	1	75	42.4	40
1.85-1.97	47-50	10	1	75	48.3	50
2.32-2.48	59-63	10	1	75	60.3	63
2.91-3.07	74-78	10	1	75	76.1	75
3.43-3.58	87-91	10	1	75	88.9	90
4.33-4.49	110-114	10	1	75	114.3	110

■ 503S

O.D Range		Pressure(Bar)	No. of Band	Length(mm)	Suitable Pipe O.D.(mm)	
In	mm				Steel Pipe	PVC/PE Pipe
0.79-0.87	20-22	10	1	150	21.3	20
1.02-1.10	26-28	10	1	150	26.9	25
1.26-1.34	32-34	10	1	150	33.7	32
1.57-1.69	40-43	10	1	150	42.4	40
1.85-1.97	47-50	10	1	150	48.3	50
2.32-2.48	59-63	10	1	150	60.3	63
2.91-3.07	74-78	10	1	150	76.1	75
3.43-3.58	87-91	10	1	150	88.9	90
4.33-4.49	110-114	10	1	150	114.3	110

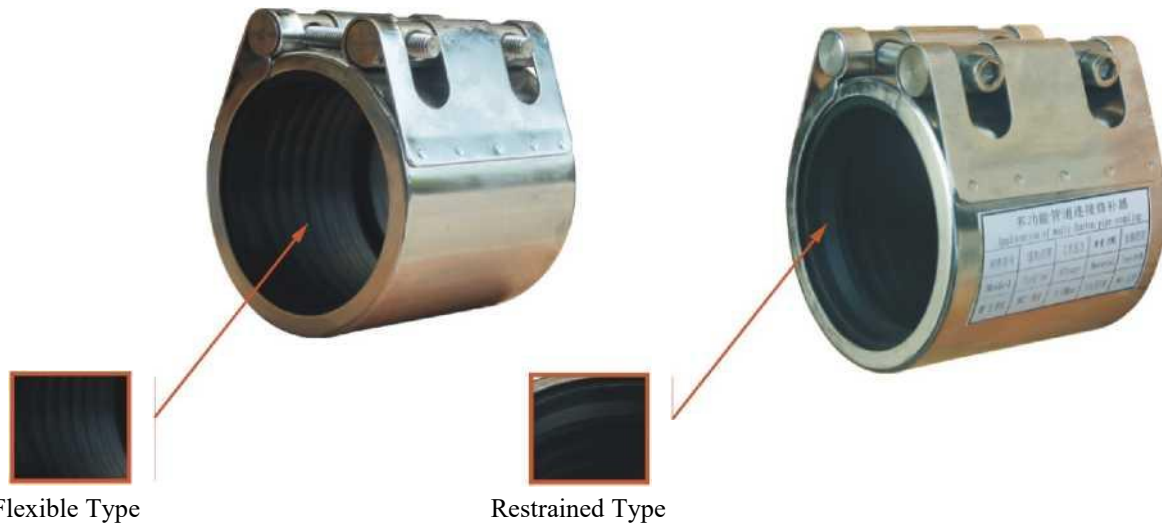
High Performance Pipe Couplings

Full Circle

■ The Basic Concept

-RTC high performance pipe couplings are the easiest way to joint pipes of all materials. No special tools or pipeend preparations are required.

-RTC high performance couplings are available in two configurations, Restrained & Flexible Type.



Flexible Type

Restrained Type

■ Flexible Type

-Normal Flex Pipe Coupling without include grip ring design, it's suitable for connect pipes that are already anchored where require axial movement due to thermal growth or vibrating because of other factor, so from principle, it's a suitable replacement for expansion joints.

■ Restrained Type

-RTC Restrained Pipe Couplings have 2 metallic grip rings that dig into the pipe wall when the coupling is installed. This prevents the two pipes from pushing apart under pressure or pulling away under end-load.

■ Clients Benefits

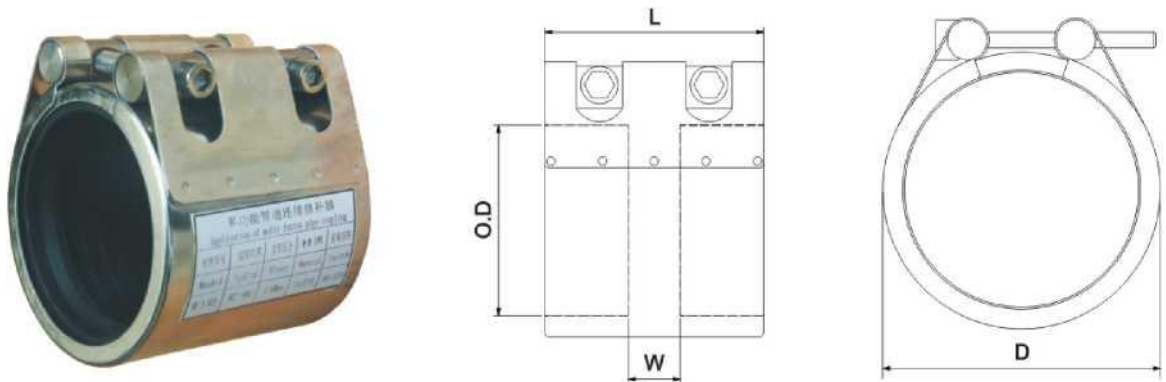
- 1 -Eliminate Welding, No special tools required.
- 2-Quickest and easiest way to join pipes, no pipe end preparation.
- 3-Connect different pipe materials.
- 4-Unique Lip seal technology.
- 5-Detachable and Reusable.
- 6-Saving Time, Labor and Money.
- 7-Can connect steel, stainless steel, ductile iron, Upvc, PE, concrete pipe.

■ Industries Applications

- 1-Shipbuilding, Offshore
- 2-Water and Wastewater
- 3-Gas Turbines
- 4-Engine Manufacturing
- 5-Locomotives
- 6-Ultra-Filtration
- 7-Compressors
- 8-Landfill

Un-Restrained High Performance Coupling

Fig. P504



Material and Relevant Standards

■ Material

-Casting Stainless Steel AISI304 or AISI316 on request.
Fasteners Teflon Coated Steel, AISI304 or AISI316 for selection.

■ Gasket

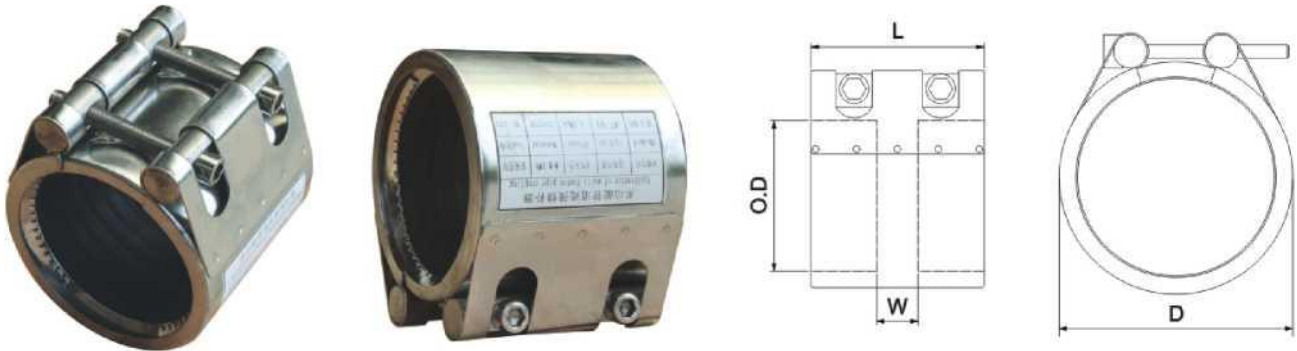
-EPDM for normal application, NBR, SILICONE, VITON for option.
-EPDM to BS EN681-1/NBR to EN682.
-Our rubber had approved by WRAS(UK), any certificate request pls feel free to contact with RTC directly.

■ 504

O.D Range		O.D	Pipe OD	Width		Setting Gap		Pressure Bar	Torque Value N.M	Weight(kg)	
In	mm			S	L	S	L			S	L
1 1/4	32	42	42-44	57	100	15±10	30 ±5	25	5-10	0.3	0.5
1 1/2	40	48.6	47-49	57	100	15±10	30 ±5	25	5-10	0.32	0.5
2	50	60	59-62	80	139	20 ±15	45±0	25	10-15	0.7	1.2
2 1/2	65	76	75-78	80	139	20 ±15	45±0	25	10-15	0.73	1.3
3	80	89	88-92	107	203	25 ±20	60±5	16	15-20	1.1	2.7
4	100	108	106-110	107	203	25 ±20	60±55	16	15-20	1.6	3.1
4	100	114	112-116	107	203	25 ±20	60±5	16	15-20	1.6	3.4
5	125	140	137-113	116	203	30 ±25	60±5	16	25-30	2.5	1.8
6	150	159	157-170	116	203	30 ±25	60±55	16	25-30	2.9	5.6
6	150	168	166-170	116	203	30 ±25	60±5	16	25-30	2.9	5.8
8	200	219	217-221	155	255	30 ±25	60±5	12	40-80	6.2	10.7
10	250	273	271-275	155	255	30 ±25	60±55	12	40-80	7.2	10.7
12	300	325	323-327	155	255	30 ±25	60±5	10	80-120	8.5	11.9
14	350	377	375-381	155	255	30 ±25	60±5	10	80-120	10.2	15.2
16	400	426	421-428	155	255	30 ±25	60±55	8	80-120	11.3	17.6
18	450	480	476-481	155	255	30 ±25	60±5	8	80-120	12.1	18.2
20	500	530	526-534	155	255	30 ±25	60±5	8	120-150	13.2	21.5

Restrained High Performance Coupling

Fig. P504G



Material and Relevant Standards

Material

-Casting Stainless Steel AISI304 or AISI316 on request.
Fasteners Teflon Coated Steel, AISI304 or AISI316 for selection.

Gasket

-EPDM for normal application, NBR, SILICONE, VITON for Option.
-EPDM to BS EN681-1/NBR to EN682.
-Our rubber had approved by WRAS(UK), any certificate request pls feel free to contact with RTC directly.

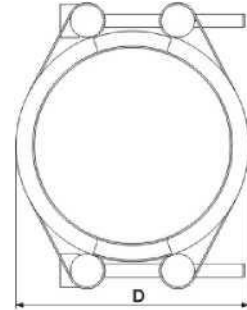
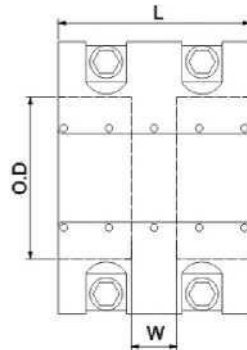
504G

Size		O. D	Pipe OD	Width		Setting Gap		Pressure Bar	Torque Value N.M	Weight(kg)	
in	mm			S	L	S	L			S	L
1 1/4	32	42	42-44	57	100	15±10	30±25	25	5-10	0.3	0.5
1 1/2	40	48.6	47-49	57	100	15±10	30±25	25	5-10	0.32	0.5
2	50	60	59-62	80	139	20±15	45±40	25	10-15	0.7	1.2
2 1/2	65	76	75-78	80	139	20±15	45±40	25	10-15	0.73	1.3
3	80	89	88-92	107	203	25±20	60±55	16	15-20	1.4	2.7
4	100	108	106-110	107	203	25±20	60±55	16	15-20	1.6	3.1
4	100	114	112-116	107	203	25±20	60±55	16	15-20	1.6	3.4
5	125	140	137-113	116	203	30±25	60±55	16	25-30	2.5	4.8
6	125	159	157-170	116	203	30±25	60±55	16	25-30	2.9	5.6
6	150	168	166-170	116	203	30±25	60±55	16	25-30	2.9	5.8
8	200	219	217-221	155	255	30±25	60±55	12	40-80	6.2	10.7
10	250	273	271-275	155	255	30±25	60±55	12	40-80	7.2	10.7
12	300	325	323-327	155	255	30±25	60±55	10	80-120	8.5	14.9
14	350	377	375-381	155	255	30±25	60±55	10	80-120	10.2	15.2
16	400	426	421-428	155	255	30±25	60±55	8	80-120	11.3	17.6
18	450	480	476-481	155	255	30±25	60±55	8	80-120	12.1	18.2
20	500	530	526-534	155	255	30±25	60±55	8	120-150	13.2	21.5

RTC product specification in this catalogue for reference only, the product construction subject to RTC's design, RTC reserve the right to change the design, construction, specification without prior notice and without incurring any obligation. Any definite information kindly contact with RTC directly.

High Performance Repair Clamp

Fig. P505



-RTC high performance Repair Coupling is a good connector for all situations where you need to make a permanent repair under pressure. Simply open the coupling, wrap it around the pipe and fasten it, the process can be finished with few minutes.

Material and Relevant Standards

Material

-Casting Stainless Steel AISI304 or AISI316 on request.
Fasteners Teflon Coated Steel, AISI304 or AISI316 for selection.

Gasket

-EPDM for normal application, NBR, SILICONE, VITON for Option.
-EPDM to BS EN681-1/NBR to EN682.
-Our rubber had approved by WRAS(UK), any certificate request pls feel free to contact with RTC directly.

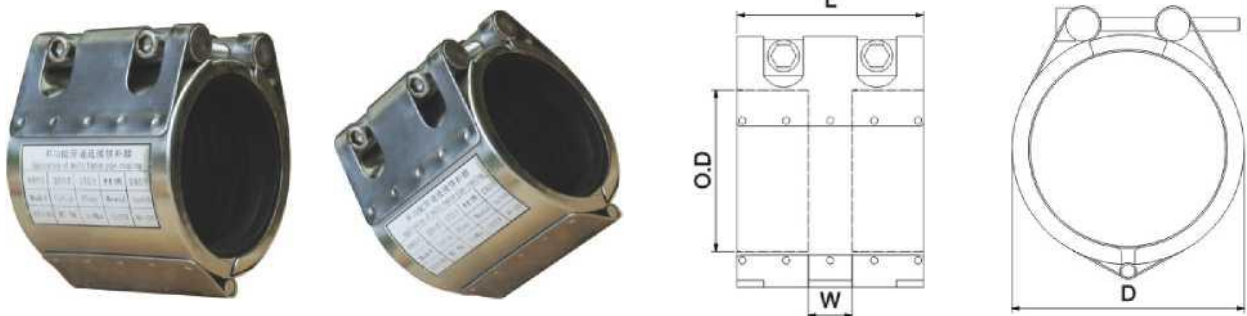
505

Size		O. D	Pipe OD	Width		Setting Gap		Pressure Torque Value		Weight(kg)	
in	mm			S	L	S	L	Bar	N.M	S	L
1 1/4	32	42	42-44	57	100	15±10	30±25	25	5-10	0.5	0.7
1 1/2	40	48.6	47-49	57	100	15±10	30±25	25	5-10	0.6	0.8
2	50	60	59-62	80	139	20±15	45±40	25	10-15	1.1	1.9
2 1/2	65	76	75-78	80	139	20±15	45±40	25	10-15	1.1	2.1
3	80	89	88-92	107	203	25±20	60±55	16	15-20	2.1	4
4	100	108	106-110	107	203	25±20	60±55	16	15-20	2.3	4.4
4	100	114	112-116	107	203	25±20	60±55	16	15-20	2.45	4.6
5	125	140	137-113	116	203	30±25	60±55	16	25-30	3.7	6
6	125	159	157-170	116	203	30±25	60±55	16	25-30	4	6.4
6	150	168	166-170	116	203	30±25	60±55	16	25-30	4.3	6.8
8	200	219	217-221	155	255	30±25	60±55	12	40-80	8.8	12
10	250	273	271-275	155	255	30±25	60±55	12	40-80	9.7	14.8
12	300	325	323-327	155	255	30±25	60±55	10	80-120	12	19.2
14	350	377	375-381	155	255	30±25	60±55	10	80-120	13	22
16	400	426	421-428	155	255	30±25	60±55	8	80-120	14.3	24
18	450	480	476-481	155	255	30±25	60±55	8	80-120	15	25.8
20	500	530	526-534	155	255	30±25	60±55	8	120-150	16	27

RTC product specification in this catalogue for reference only, the product construction subject to RTC's design, RTC reserve the right to change the design, construction, specification without prior notice and without incurring any obligation. Any definite information kindly contact with RTC directly.

High Performance Repair Clamp-Folding Type

Fig. P505F



-RTC high performance Repair Coupling is a good connector for all situations where you need to make a permanent repair under pressure. Simply open the coupling, wrap it around the pipe and fasten it, the process can be finished with few minutes.

Material and Relevant Standards

Material

-Casting Stainless Steel AISI304 or AISI316 on request.
Fasteners Teflon Coated Steel, AISI304 or AISI316 for selection.

Gasket

-EPDM for normal application, NBR, SILICONE, VITON for Option.
-EPDM to BS EN681-1/NBR to EN682.
-Our rubber had approved by WRAS(UK), any certificate request pls feel free to contact with RTC directly.

505F

Size		O. D	Pipe OD	Width		Setting Gap		Pressure Bar	Torque Value N.M	Weight(kg)	
in	mm			S	L	S	L			S	L
1/2	15	21.7	21-23	57		15±10		25	5-10	0.26	
3/4	20	27.2	26-28	57		15±10		25	5-10	0.28	
1	25	34	33-35	57		15±10		25	5-10	0.3	
1 1/4	32	42	42-44	57	100	15±10	30± 5	25	5-10	0.35	0.5
1 1/2	40	48.6	47-49	57	100	15±10	30±5	25	5-10	0.35	0.6
2	50	60	59-62	80	139	20±15	45±40	25	10-15	0.8	1.4
2 1/2	65	76	75-78	80	139	20±15	45±40	25	10-15	0.86	1.5
3	80	89	88-92	107	203	25±20	60±55	16	15-20	1.6	3.1
4	100	108	106-110	107	203	25±20	60±55	16	15-20	1.8	3.4
4	100	114	112-116	107	203	25±20	60±55	16	15-20	2.1	3.7
5	125	140	137-143	116	203	30±25	60±55	16	25-30	3.1	4.7
6	150	159	157-170	116	203	30±25	60±55	16	25-30	3.2	5.9
6	150	168	166-170	116	203	30±25	60±55	16	25-30	3.4	6.2
8	20	219	217-221	155	255	30±25	60±55	12	40-80	7	12.2
10	200	273	271-275	155	255	30±25	60±55	12	40-80	7.9	13.5
12	300	325	323-327	155	255	30±25	60±55	10	80-120	9	16.3
14	350	377	375-381	155	255	30±25	60±55	10	80-120	11	18.6
16	400	426	424-428	155	255	30±25	60±55	8	80-120	12.3	20.4
18	450	480	476-484	155	255	30±25	60±55	8	80-120	13	21.6
20	500	530	526-534	155	255	30±25	60±55	8	120-150	14.1	23.8

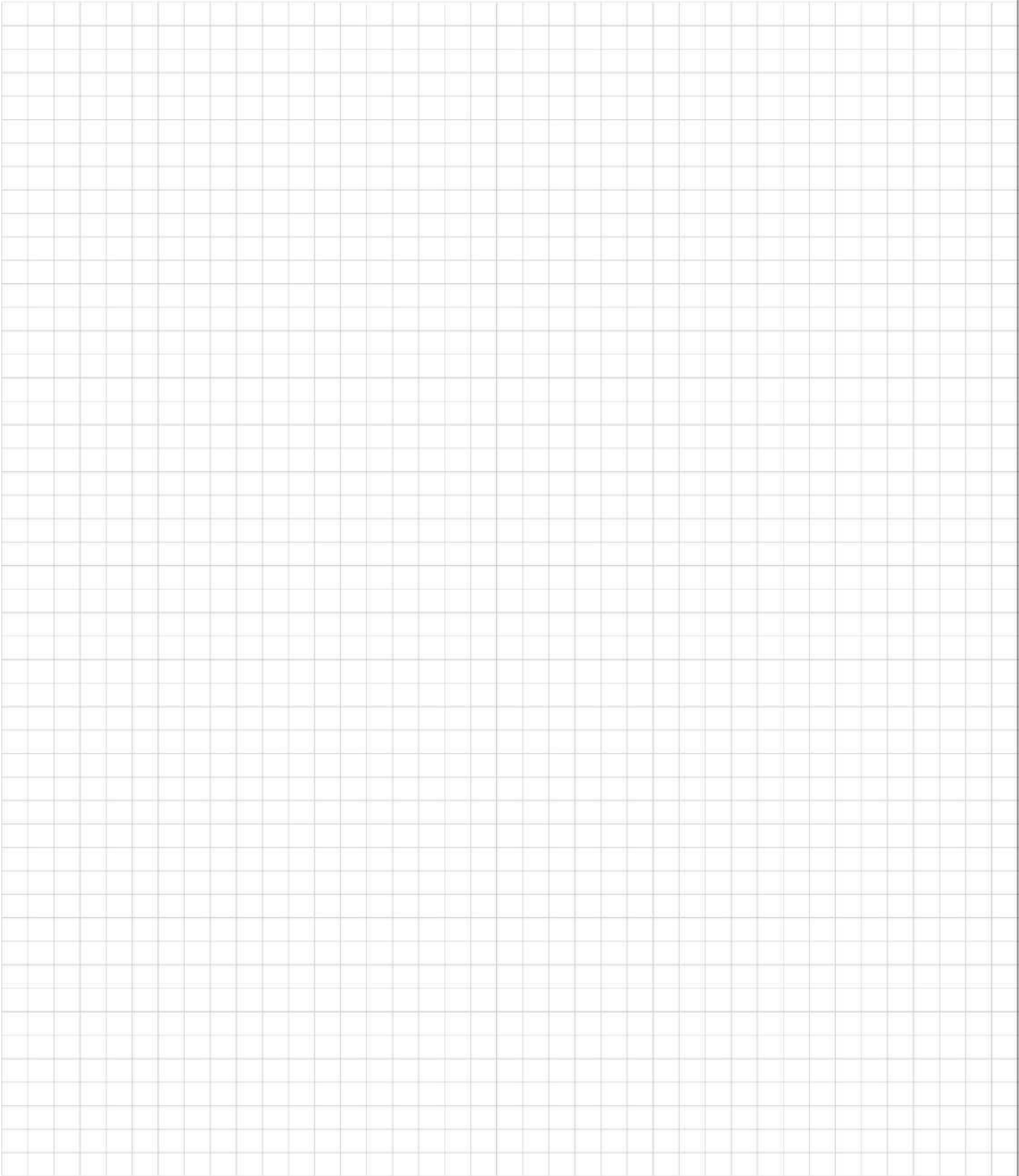
RTC product specification in this catalogue for reference only, the product construction subject to RTC's design, RTC reserve the right to change the design, construction, specification without prior notice and without incurring any obligation. Any definite information kindly contact with RTC directly.

RTC

Lead the smart flow...

Note: _____

Note:



RTC

Lead the smart flow...

